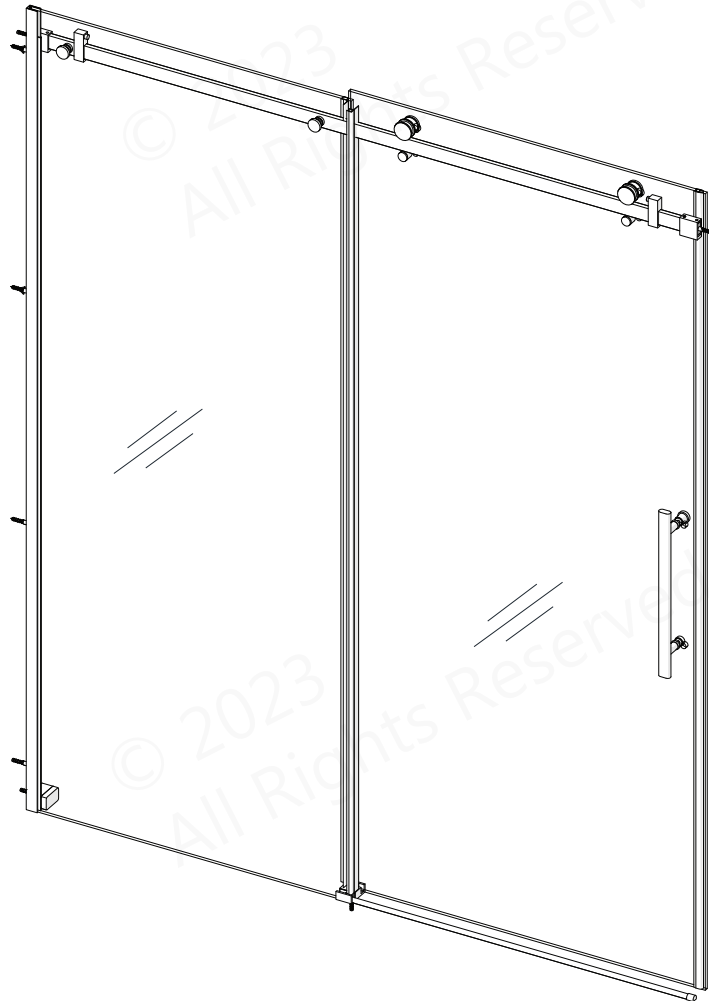


BARN-DOOR STYLE SLIDER

SHOWER DOOR INSTALLATION INSTRUCTIONS

PLEASE REVIEW THIS ENTIRE MANUAL PRIOR TO INSTALLATION



IMPORTANT!

The manufacturer reserves the right to alter, modify or redesign products at any time without prior notice for the purpose of product improvement and customer experience. Please refer to the manufacturer's web page for the latest technical drawings, installation manuals, warranty information or additional product details.



Do not remove ClearMax stickers until glass is installed.



ClearMax® a specially-formulated coating that prevents the build up of soap and water spots.

If your model is treated with ClearMax™, install the surface with the ClearMax™ label towards the inside of the shower. Please note that depending on requirements for reversibility, the glass may be coated on either one or both surfaces.

For best results, squeegee the glass after each use and dry with a soft cloth.

Record the following purchase information for your records or in the event you need to contact the manufacturer.

Purchase Order Number _____

Store/Vendor Purchased From _____

Installation Date _____

OD Number (optional) _____
*found on the shipping box or label if available.

Installed By: _____

SKU Number _____

Table of Contents

Section Title	Page #
Important Product Information	2
Model Specific Preparation	3
Tools	4
Detailed Diagram of Shower/Tub Door Components	5
Parts List	6-7
Installation Steps	8-35
Determining the Position of the Shower Door	9
Measuring and Cutting the Vertical Channel	10
Setting and Marking the UChannel	11
Installing the UChannel	12
Marking Rollers and Installing them on the Door Glass	18
Leveling the Guide Rail	23
Re-Installing the Guide Rail and Guide Rail Brackets	26
Installing the Door Glass	28
Installing the Roller Guards	29
Adjusting the Roller Wheels (If needed)	32
Securing the Stoppers	34
Applying Silicone	35
Product Maintenance	36
Troubleshooting	37
Factory Parts Information	38

Symbol Legend



TIP - for ease of installation.



CORRECT - recommended.



NOTE - take note of special feature; additional information.

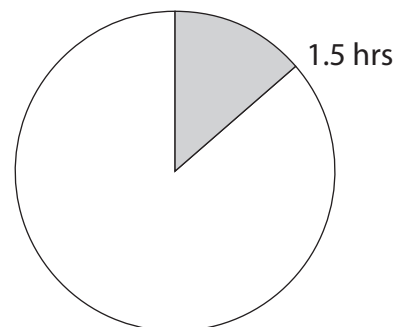


INCORRECT - not recommended.



REQUIRED - requires special attention; signifies a warning.

Average Installation Time



Important Product Information

IMPORTANT

- The manufacturer reserves the right to alter, modify or redesign products any time without prior notice for product improvement and customer experience. Please refer to the manufacturer's web page for the latest technical drawings, installation manuals, warranty information or additional product details.
- This product should be installed by someone familiar with the construction requirements for this type of project and the care necessary for the safe installation and operation of the product.
- The safety of any installation is the responsibility of the installer.
- Professional installation recommended. *(All Models)*
- Professional installation required for all Barn Door style shower doors.
- To prevent damage or serious injury, Do Not lean against the installed panel/door/glass.
- To prevent damage or serious injury: Do Not attempt to lift or move a heavy lite of glass alone. Use an assistant and/or a professional grade glass suction cup.
- The installation of some models may require drilling down into the threshold. Contact the manufacturer of the base, tub, or threshold material with any questions regarding the drilling of holes into their product.
- All drawings in this installation manual are for illustrative purposes only and are not drawn to scale.

TEMPERED GLASS WARNING

- Your Shower Door Glass Could Shatter Without Warning if Improperly Installed or Mishandled
- Do Not install or operate a shower door if the glass has chipped corners, slivered edges or is otherwise damaged and/or has been dropped or banged into a hard surface such as tile, marble or glass.
- **The main causes of tempered glass breakage are:**
 - Improper handling, storage or installation
 - Misuse/abuse
 - Lack of maintenance
 - Failure to replace damaged glass
 - **Improper handling during storage, unpacking and installation:**
 - Corners and edges are the most susceptible area to damage on a lite of tempered glass and should be protected and handled with care during storage, unpacking, installation and operation. A concentrated point of pressure or impact with a surface harder than itself may cause the tempered glass to shatter. The tempered glass may release immediately, within several hours or even days later.
 - **Incorrect installation of door hardware, rollers, hinges, channels, stopper or glass:**
 - Improper installation may include: loose hardware and/or lack of proper gaskets between the hardware and glass. Additionally, improper alignment of guide rails, wall profiles or other hardware during installation or operation may place stress on the glass edges and cause it to break.
 - This product must be installed by a professional and experienced installer familiar with the safe handling of tempered glass.
 - **Improper use of this product:**
 - Aggressively opening or closing the door may cause trauma to the glass, which can lead to breakage. This may occur immediately or hours or even days later.
 - **The shower door hardware and glass should be inspected periodically:**
 - Instruct the homeowner how to perform a periodic inspection of the shower hardware and glass - some minor adjustments may be necessary based upon the use (or misuse) of the shower door. Ensure that the hardware remains tight and that the door alignment and operation are correct. Any adjustments should be made upon discovery to prevent damage to the product.
 - Additional considerations should be given to the installation of frameless tempered glass products in households with young children or an elderly person due to an increased chance of improper handling. In such cases, alternatives such as shower curtains or grab bars should be considered.

GENERAL PREPARATION

- After opening all boxes and packages, read this introduction carefully. Check that all the items are included in the package by marking off the components on the "**Detailed Diagram of Product Components**" page. Examine all boxes and packages for shipping damage. If the unit has been damaged, has a finishing defect, or is missing parts; please contact the manufacturer within 3 business days of the delivery date.
Please note that the manufacturer will not replace any damaged products or missing parts free of charge after 3 business days or if the product has been installed. Please contact the manufacturer if you have any questions.
- **Please note that you should refer to your local building codes with questions on installation compliance standards. Building and plumbing codes may vary by location, and the manufacturer is not responsible for code compliance standards for project and will not accept any returns.**
- If this unit is going to be installed in a new construction, install all the required plumbing and drainage before installing the shower. **Use a competent and licensed (if required by local code) plumber for all plumbing installation.**
- Make sure that prior to beginning the installation, the surfaces are leveled and solid and will be able to support the total weight of the unit. Also make sure the walls are at right angles. Irregular installation surface level, radius corners or improper angle of side walls will result in serious problems for your installation. Please note that some adjustments and drilling will be necessary during the installation process.
- Protect all primary surfaces of the product during installation. Never set your glass down directly onto a tile floor. Leave corner protectors in place until it is necessary to remove them. Always use a piece of wood or cardboard to protect the bottom edge and corners of the glass prior to and during installation.
- This unit must be installed upon a finished threshold and against finished walls.
- *These shower doors are not designed to be installed into a fiberglass surround due to the radius corners and lack of a solid surface to mount the hardware.*

WARNING: TO AVOID THE RISK OF DAMAGE OR INJURY:

- **Follow all recommendations and requirements as shown in the installation instructions.**
- Perform a thorough inspection of the glass and all parts for any damage prior to installation. Any damage to tempered glass can cause breakage.
Do Not install damaged glass!
- Do Not install or operate a shower or tub door if the glass has chipped corners, slivered edges or is otherwise damaged. Do Not install or operate a shower or tub door that has been dropped or banged into a hard surface such as tile, marble or glass.
- **CAUTION:** Contact with any hard surface can damage tempered glass and cause it to shatter.
- This product uses tempered glass. Glass cannot be cut after it has been tempered.
Do Not attempt to cut tempered glass.
- Glass Shower doors, Tub doors, Inline panels, and Return panels can shatter due to improper handling or lack of maintenance. Conduct periodic inspections of glass and all parts for possible damage, missing or loose parts.
- Always wear proper safety equipment such as: safety goggles, work gloves and appropriate footwear during the installation process.
- **WARNING. Risk of leakage and/or damage.** Follow all instructions regarding the application of silicone sealant or caulk. Allow 24 hours for the sealant to cure before the initial use of the shower or tub product. Follow the silicone manufacturer's recommendations regarding the use of their product.
- **Thoroughly read these instructions before installing or using this product.**
- **Leave this manual for the end-user of the product.**



This product should be installed by someone familiar with the construction requirements for this type of project and the care necessary for the safe installation and operation of the product.



Professional Installation Required

Model Specific Preparation

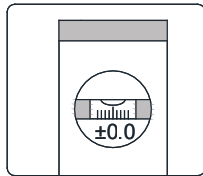


REQUIRED:

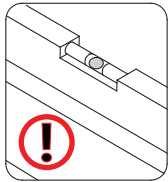


Tip: Measure the finished opening before proceeding with the installation to be sure that the correct model size has been ordered.

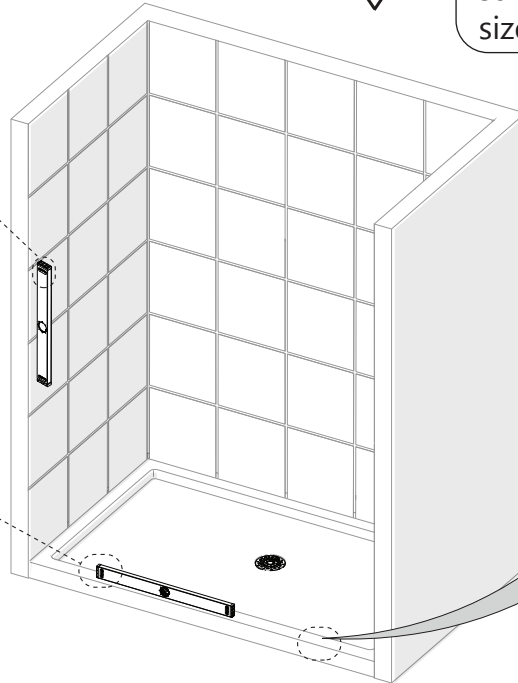
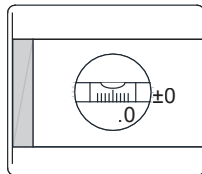
1/4" Out-of-Plumb Adjustment on Panel side only; Verify panel-side wall is within tolerance



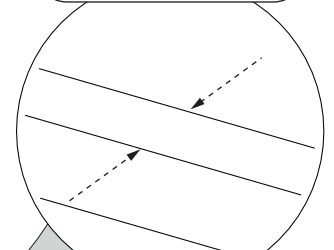
Threshold must be level



Threshold must be level



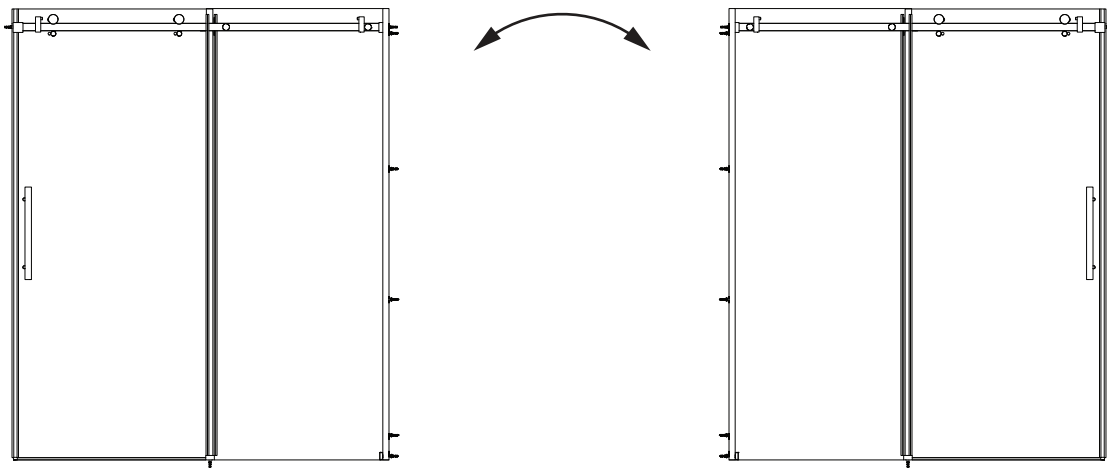
2-1/4" (44mm)



Minimum flat threshold requirement



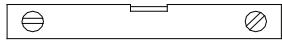
This door is reversible. The door glass can be installed on either side of the shower. Installing the door on the shower head side of the opening can be helpful in preventing leaks between the door and panel.



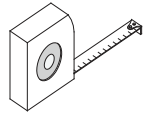
DO NOT attach the handle to the door glass until instructed.
DO NOT attempt to use the handle to lift the door glass during installation.

This may result in damage to the glass and/or serious injury. Always use a professional grade glass suction cup and an assistant.

Tools



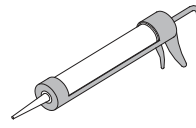
Level



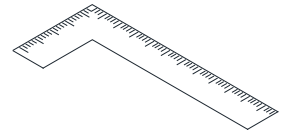
Tape Measure



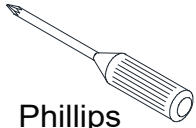
Pencil



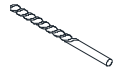
Silicone



Carpenter's Square



Phillips Screwdriver



Drill bit (D=5/16")



Drill bit (D=3/16")



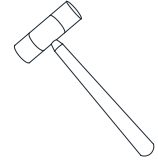
Drill bit (D=1/8")



Power Drill



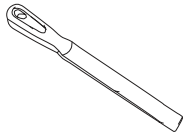
Screw Gun



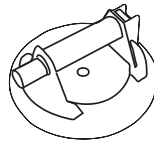
Mallet



Painter's Tape



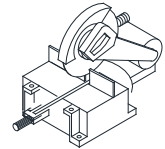
Metal File



Professional-grade Glass suction cup



Extender driver bit



Chop saw or Hacksaw



Verify that the correct model size has been ordered; measure the finished opening **before** proceeding with the installation.

Confirm that the finished walls are plumb and the threshold is level and pitched into the shower area.

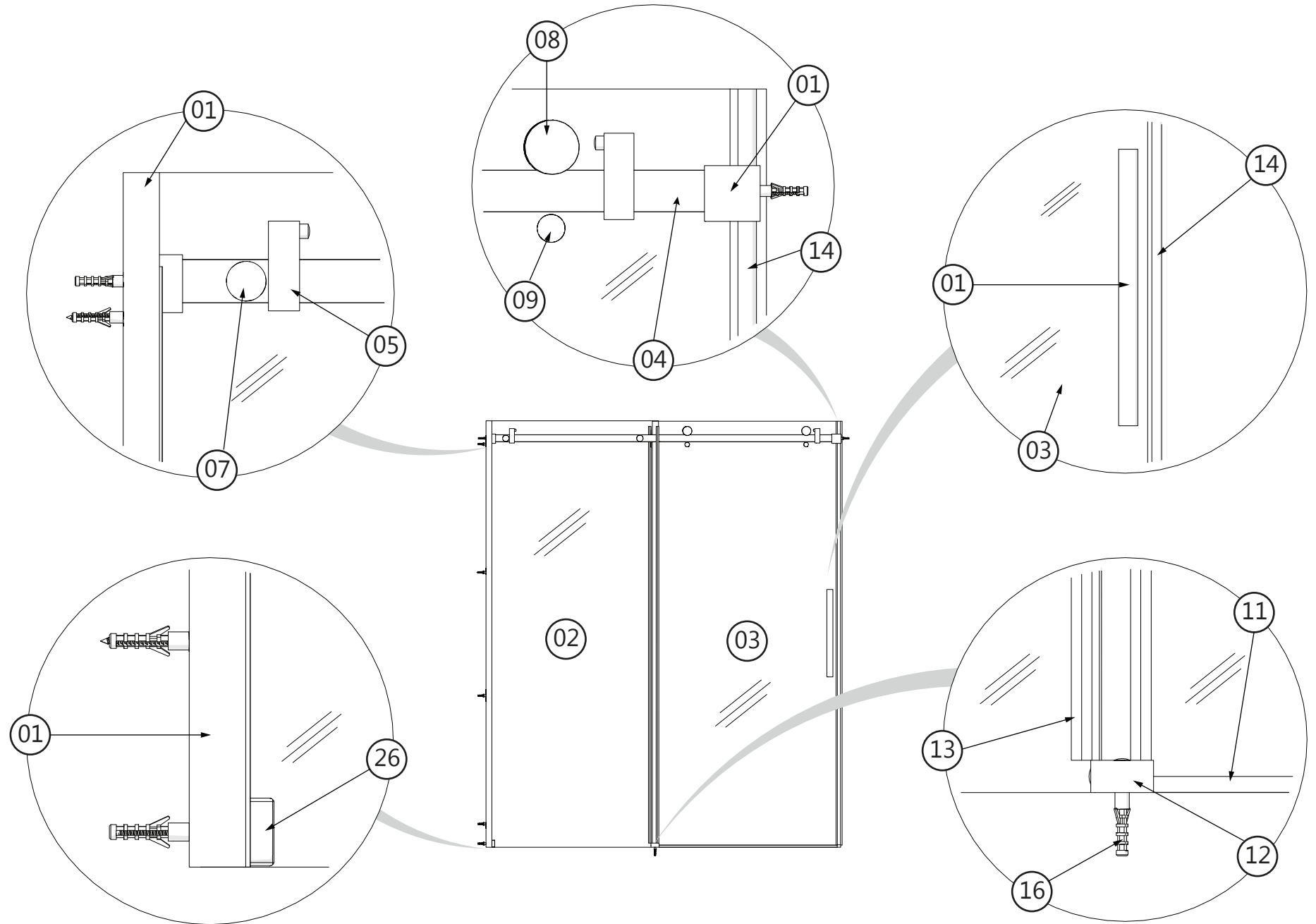
Use a good quality waterproof, mildew-resistant 100% silicone caulk.

Cover the shower/tub drain with tape prior to installation to prevent the loss of screws or small parts.



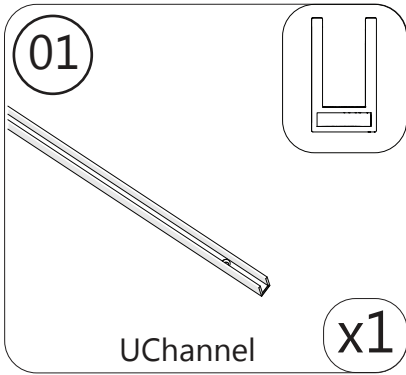
Unpack your unit carefully and inspect it. Lay it out and identify all parts using the **Detailed Diagram** on page 5; and packing list in this manual as a reference. Before discarding the carton, check for small hardware bags that may have fallen to the bottom of the box. If any parts are damaged or missing, please contact the manufacturer for replacement. The shipping boxes may contain extra parts not used in your model configuration. Retain these installation instructions for future reference.

Detailed Diagram of Barn Door Slider with Panel



Parts List

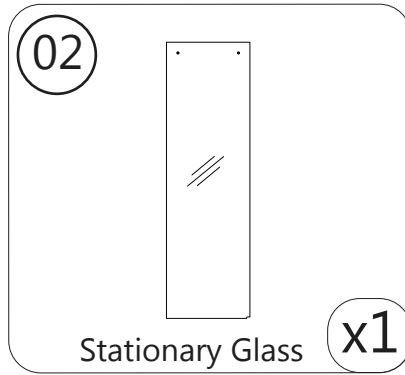
01



UChannel x1

A long, thin U-shaped metal channel with a small inset showing a cross-section of the channel.

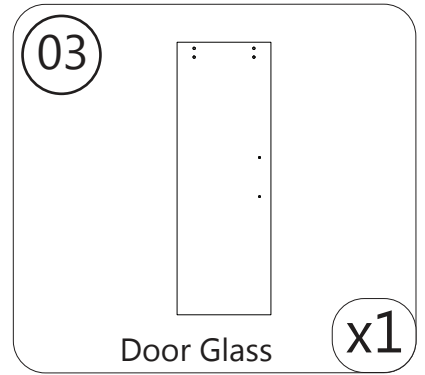
02



Stationary Glass x1

A rectangular glass panel with two small dots near the top edge and diagonal lines in the center.

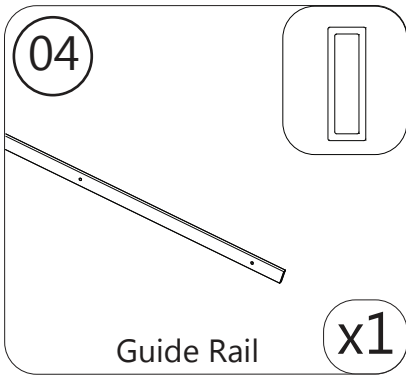
03



Door Glass x1

A rectangular glass panel with two pairs of dots near the top edge and two dots near the bottom edge.

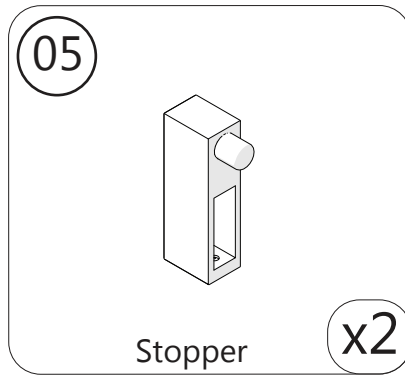
04



Guide Rail x1

A long, thin metal rail with a small inset showing a cross-section of the rail.

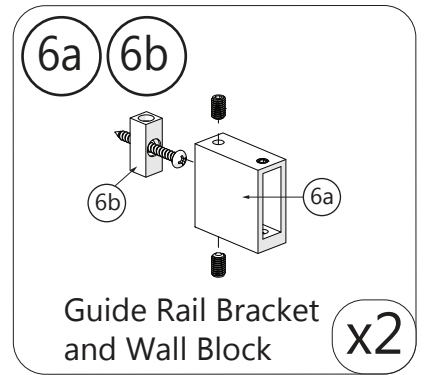
05



Stopper x2

A rectangular metal stopper with a rounded end and a small hole.

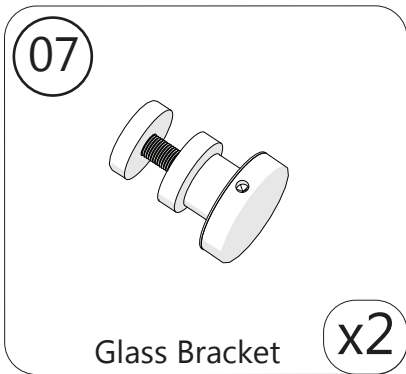
6a 6b



Guide Rail Bracket and Wall Block x2

An exploded view of a guide rail bracket and wall block assembly, showing a bracket (6a) and a wall block (6b) with screws.

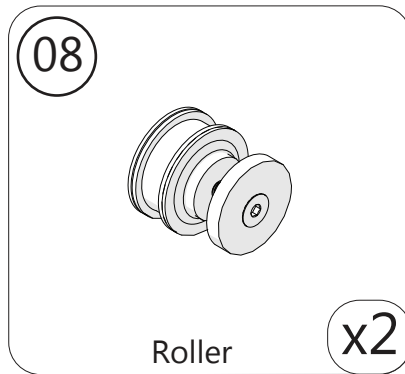
07



Glass Bracket x2

A glass bracket consisting of a central screw and two circular end caps.

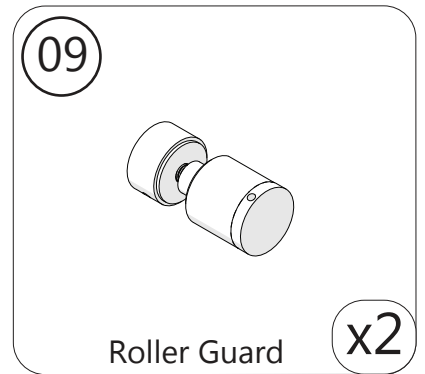
08



Roller x2

A roller consisting of a central axle and two circular wheels.

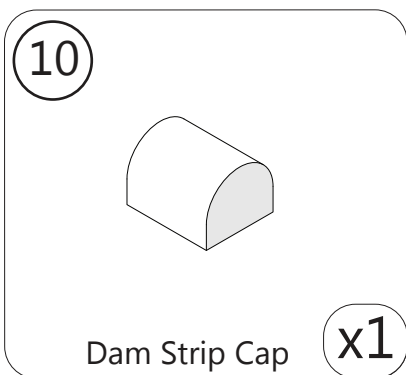
09



Roller Guard x2

A roller guard consisting of a central axle and two cylindrical end caps.

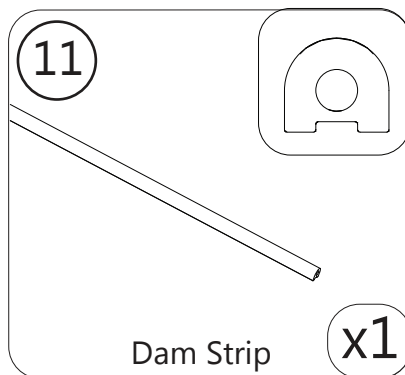
10



Dam Strip Cap x1

A small, curved, semi-circular cap for a dam strip.

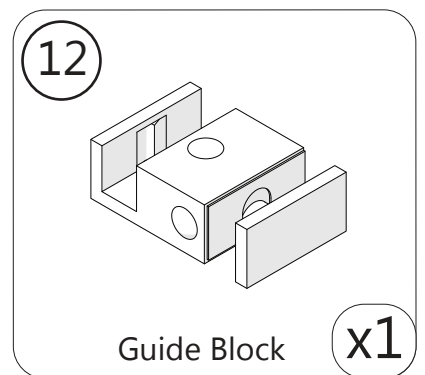
11



Dam Strip x1

A long, thin metal strip with a small inset showing a cross-section of the strip.

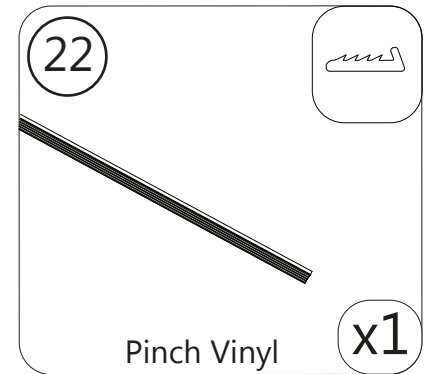
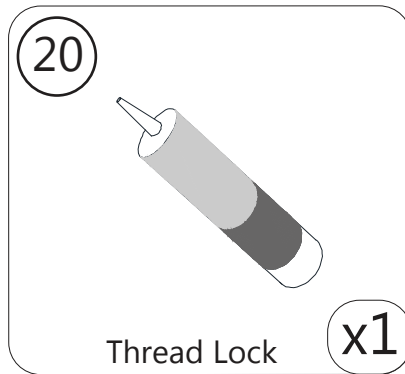
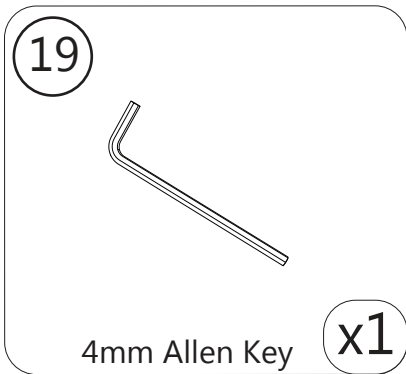
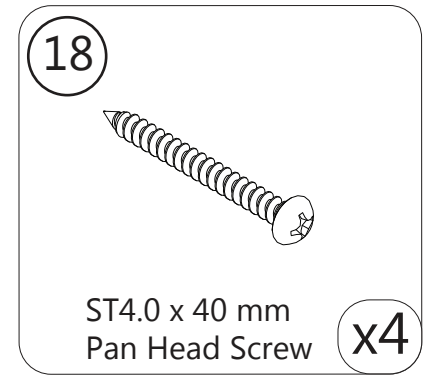
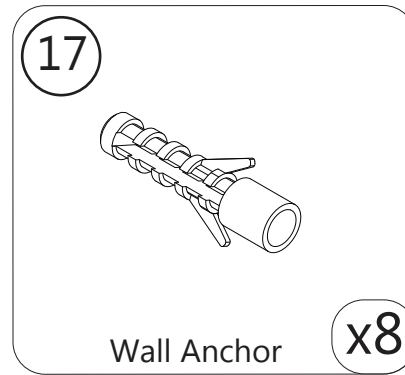
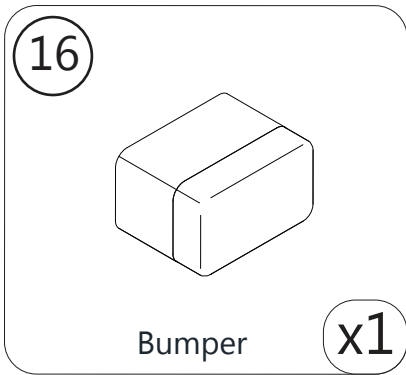
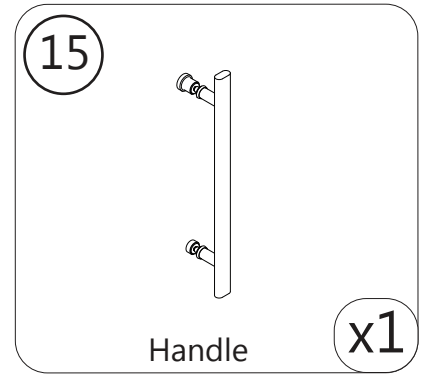
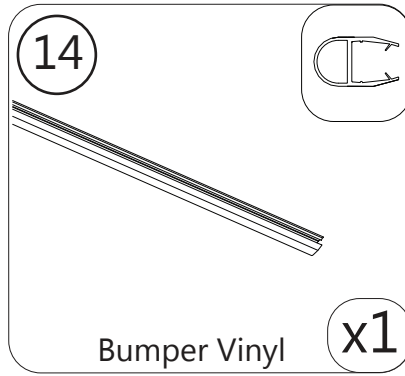
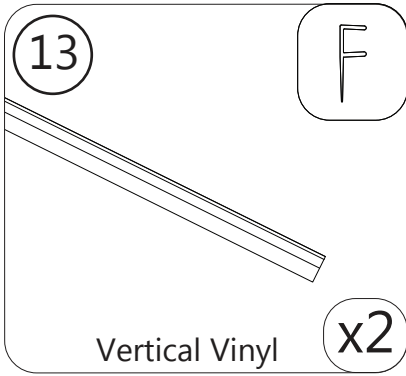
12



Guide Block x1

A rectangular metal guide block with a small inset showing a cross-section of the block.

Parts List



Installation Steps

1

Use a chop saw (or a hacksaw) to cut the stainless steel **Guide Rail (#04)** **from the door end only** to fit the finished opening. **Fig 1**
 Measure the finished opening width at the model height of 69":

NOTE

This will be dimension (W).

The **Guide Rail (#04)** is **1" less** than the model size and will need to be **cut to 1" less than the finished opening size (W)**:

Finished opening (W) - 1" = finished cut length

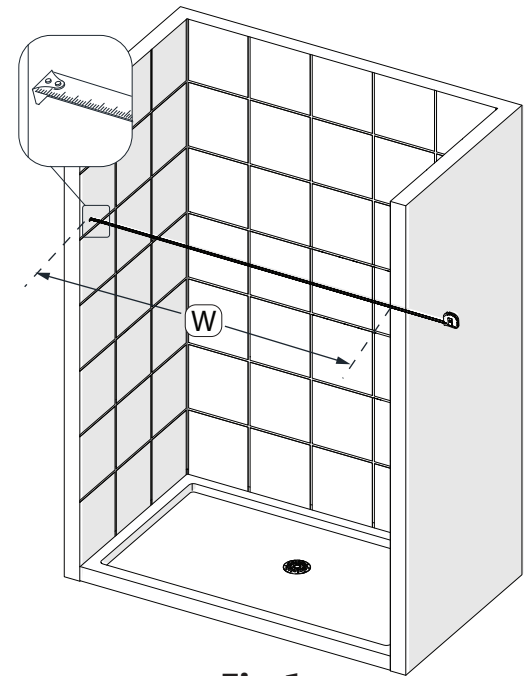


Fig 1



Cut the **Guide Rail (#04)** from the **door end only** which is the end opposite the glass bracket holes. Subtract one inch from the opening width to get the finished cut length.

**Finished opening (W)
 minus 1" = Finished Cut length**

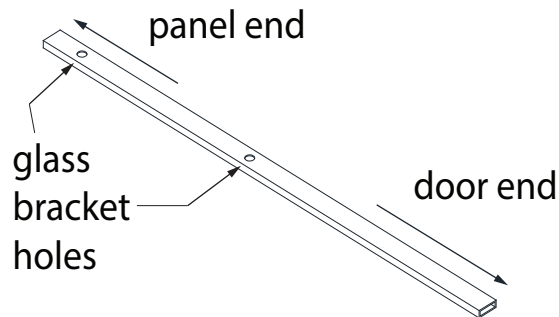


Fig 1a

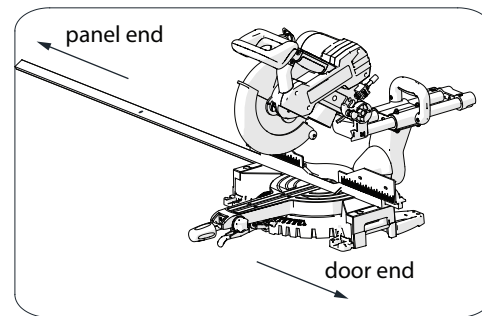
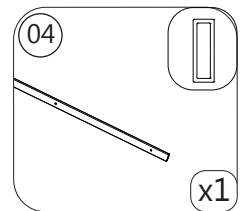


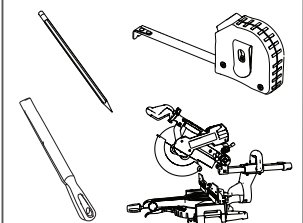
Fig 1b

Cut from the door end only. Cutting from the panel end shifts the pre-drilled holes in the rail, making installation impossible.

Parts Needed

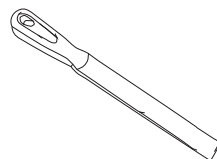


Tools Needed



NOTE

Use a metal file to remove any burrs from the cut end of the **Guide Rail (#04)**.



Metal File

2

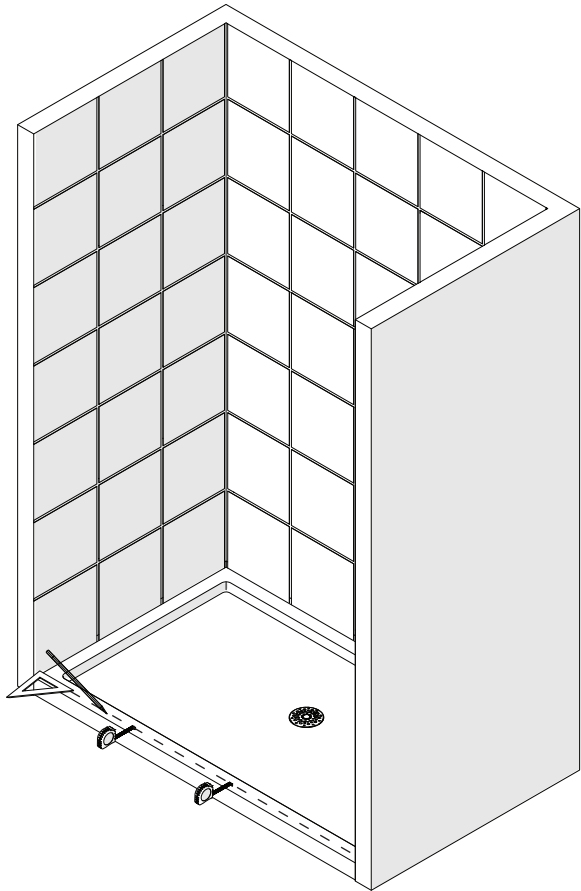
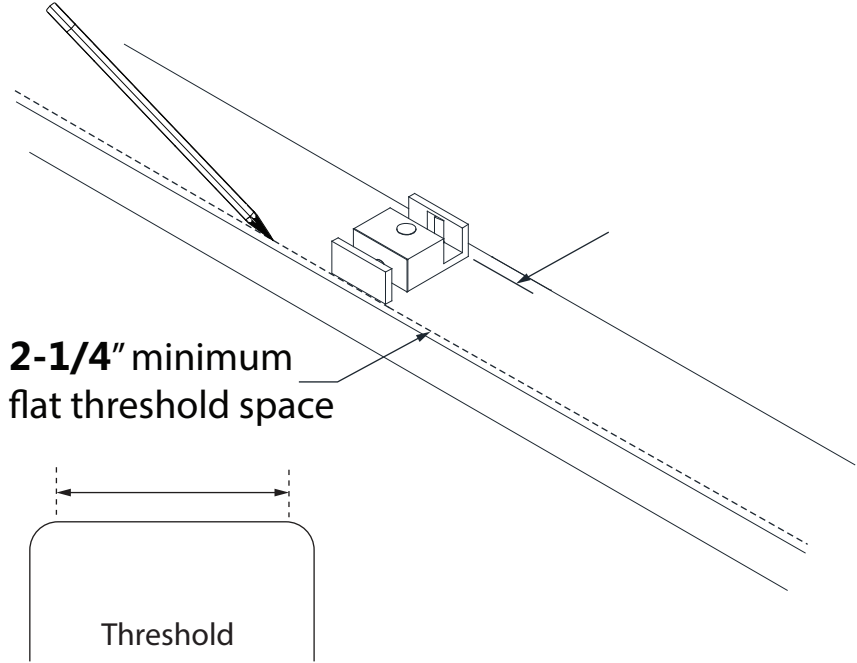
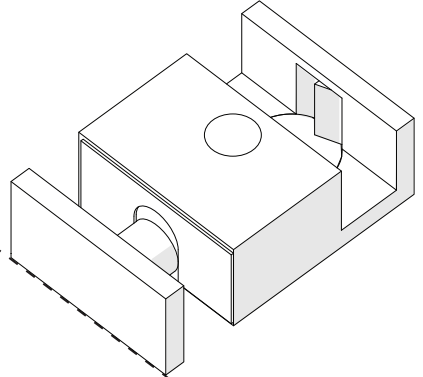
Determining the Position of the Shower Door

NOTE

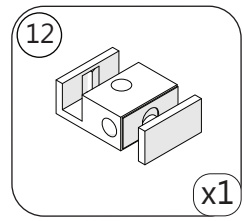
The **Guide Block (#12)** represents the 'footprint' of the door. Place it in the desired position on the threshold and mark the front edge. Extend this '**reference line**' across the threshold to both walls, parallel with the front threshold edge. This will help to accurately install key parts of the shower door in later steps. **Fig 2**



This model requires a minimum of 2-1/4" of flat threshold space for installation.



Parts Needed



Tools Needed

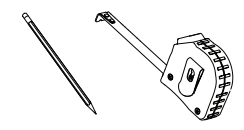


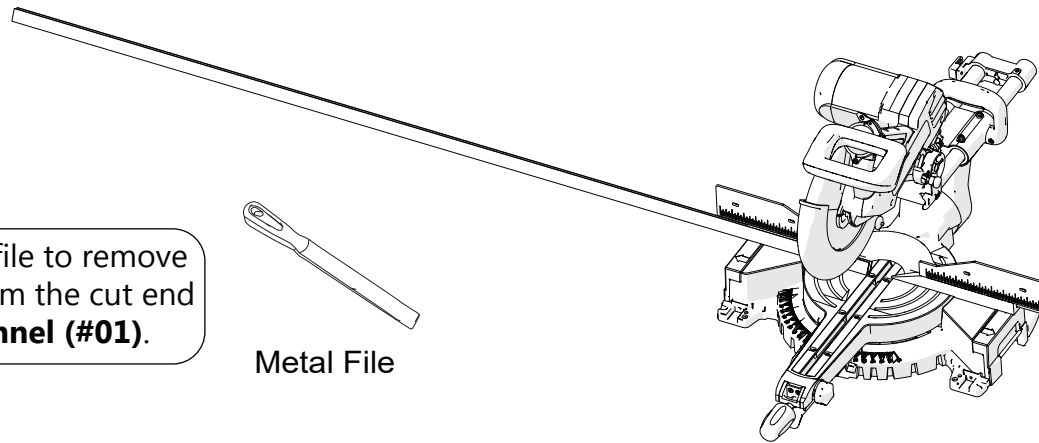
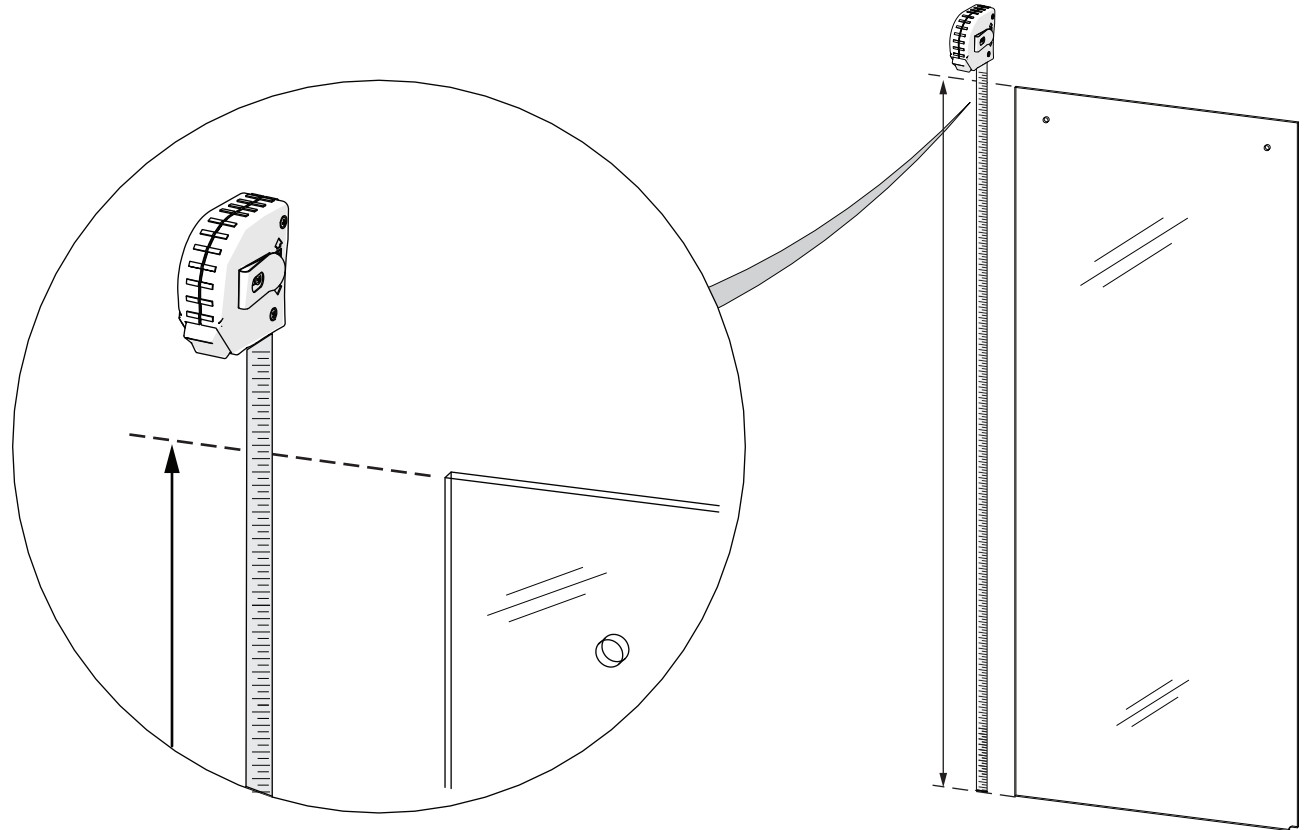
Fig 2

3

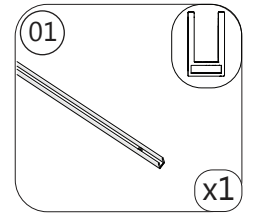
Cutting the UChannel to the Height of the Panel Glass

NOTE

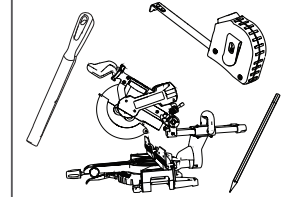
Measure the height of the **Stationary Glass (#02)** for your shower door model. Measure that same length on the **UChannel (#01)**, mark it, and cut the **UChannel** using a chop saw with a blade for cutting metal. **Fig 3**



Parts Needed

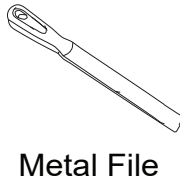


Tools Needed



NOTE

Use a metal file to remove any burrs from the cut end of the **UChannel (#01)**.

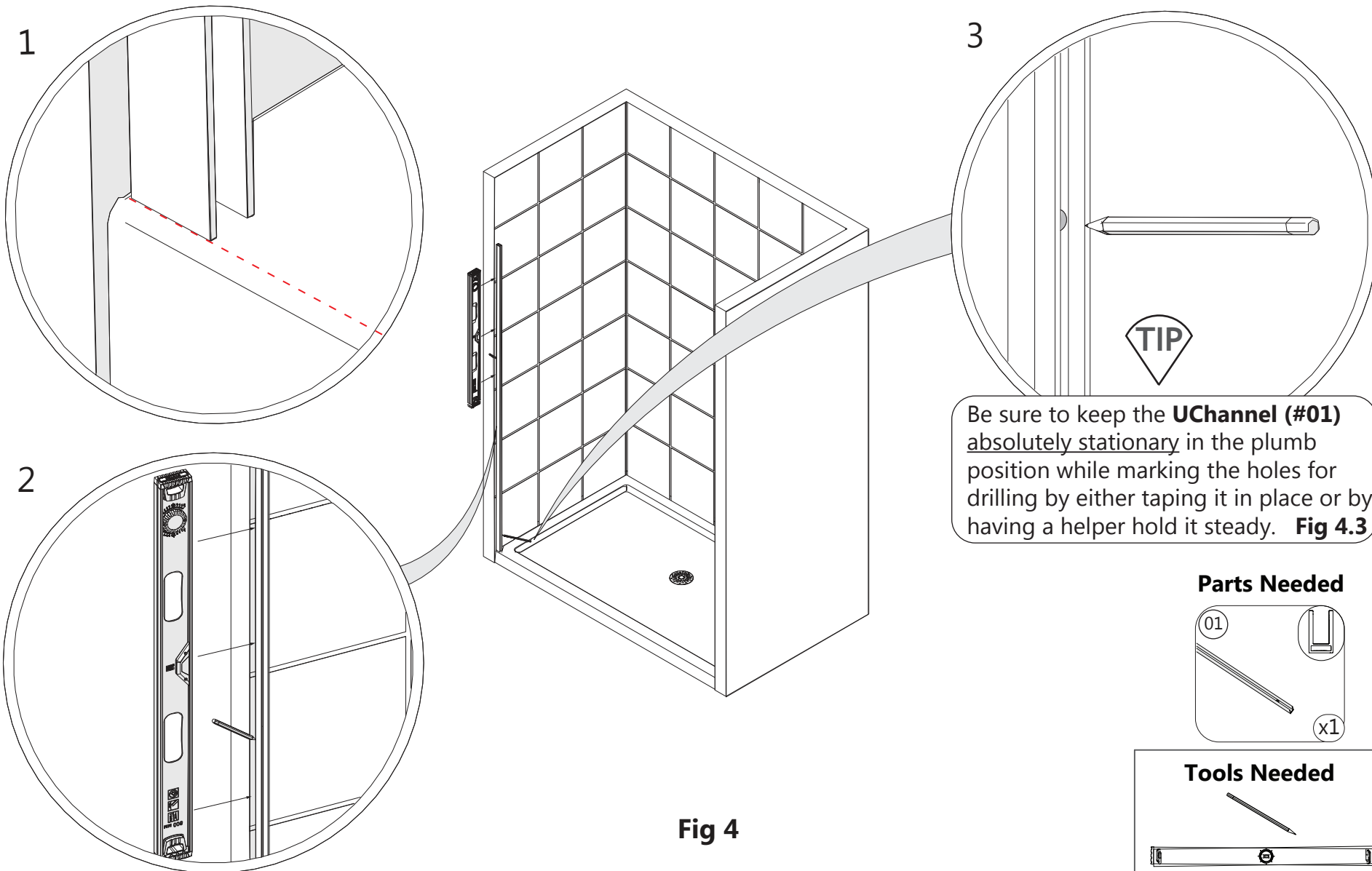


4

Setting and Marking the UChannel

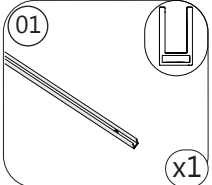
NOTE

Align the outside edge of the **U-Channel (#01)** with the inside of the mark on the threshold. Use a level to plumb the **U-Channel (#01)** and mark it's position on the wall. Mark the holes for drilling through the pre-drilled holes in the **U-Channel (#01)**. (Fig 4)



Be sure to keep the **UChannel (#01)** absolutely stationary in the plumb position while marking the holes for drilling by either taping it in place or by having a helper hold it steady. **Fig 4.3**

Parts Needed



Tools Needed

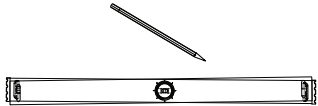
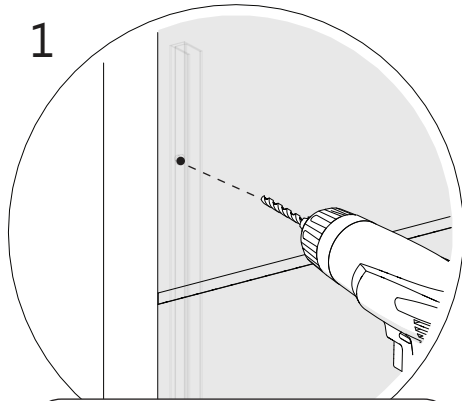


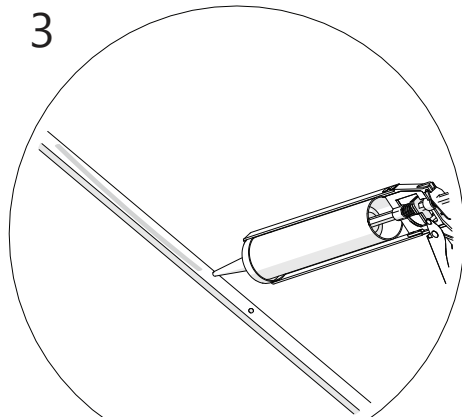
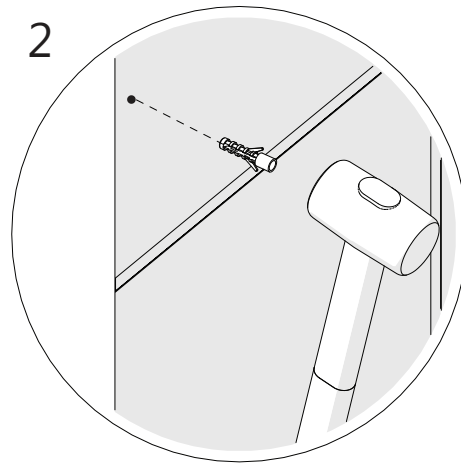
Fig 4

5

Installing the UChannel



(**See Drilling Instructions)



Apply silicone to the back of the UChannel

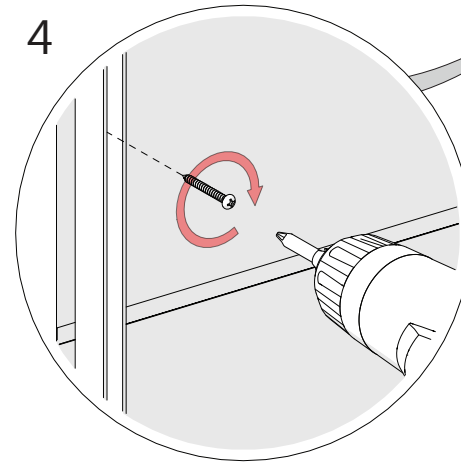
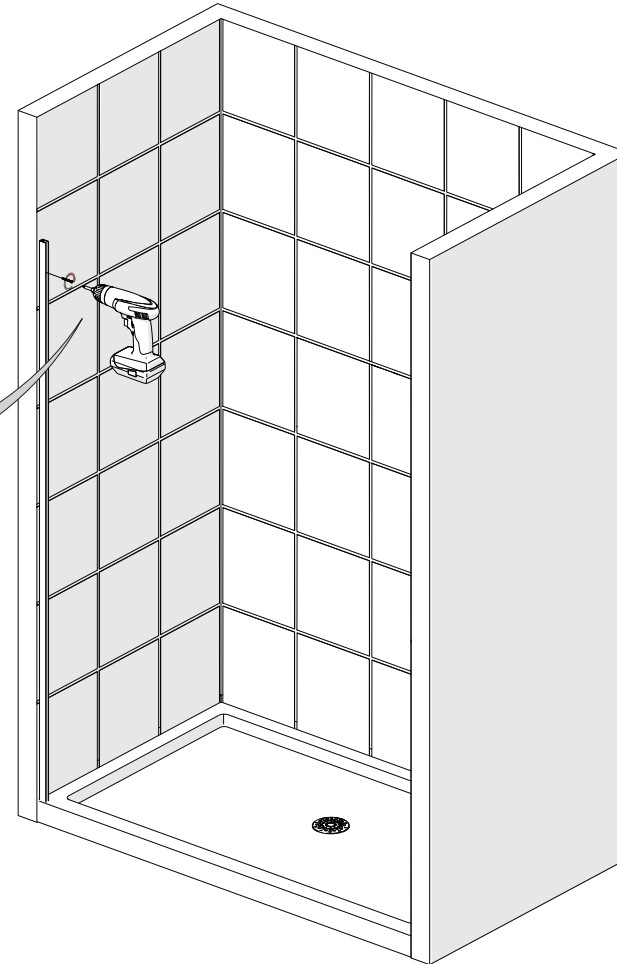





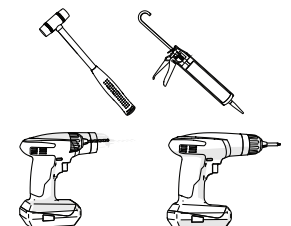
Fig 5



Parts Needed

- 01  x1
- 18  x4
- 17 *Optional  x8

Tools Needed



If a stud is present behind the wall:
 drill a $\text{Ø}3/16''$ (4mm) hole up to the stud, then use a $\text{Ø}1/8''$ (3mm) bit to pilot the stud, and install using the **ST4.0 x 40mm Pan Head Screws (#18)**
OR
***If no stud is present behind the wall:**
 drill a $\text{Ø}5/16''$ (7mm) hole and insert the **Wall Anchors (#17)** and use the **ST4.0 x 40mm Pan Head Screws (#18)**

6

Positioning and Marking the Guide Rail Brackets

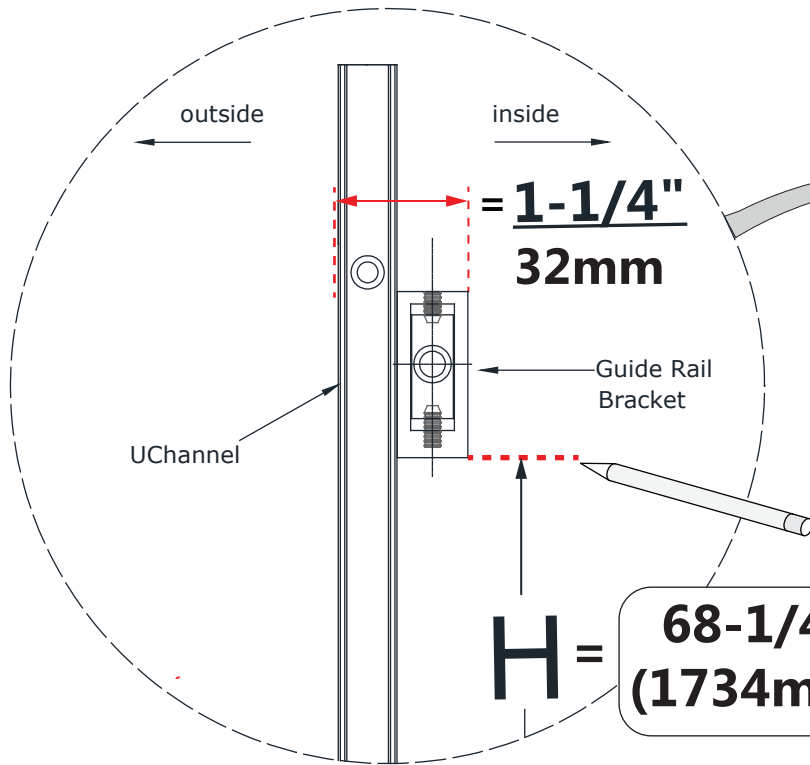
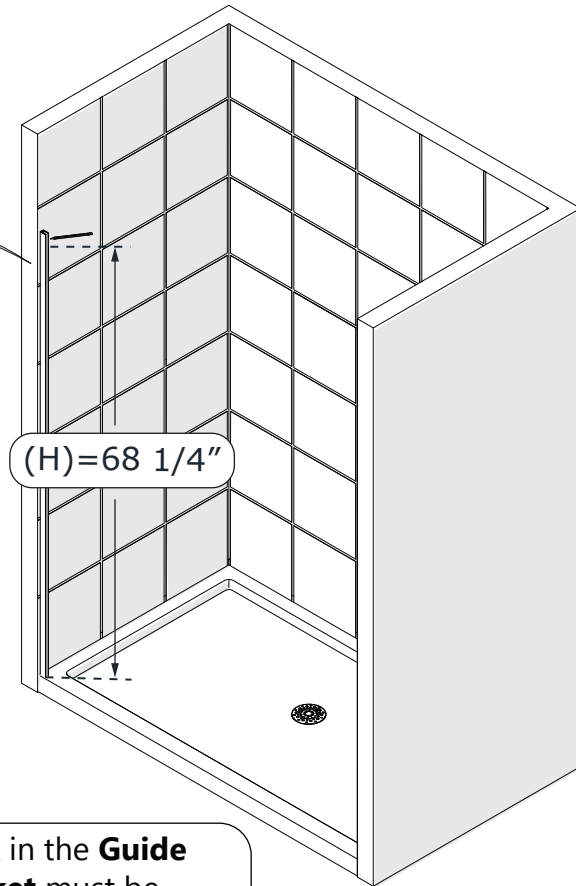
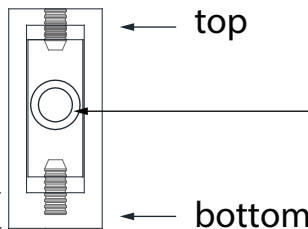


Fig 6



Note that the bottom of the bracket is thicker than the top and must be installed correctly



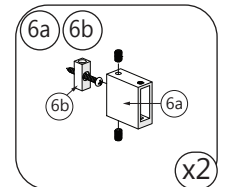
The **Block** in the **Guide Rail Bracket** must be centered in the **Bracket** (as shown) to allow for vertical adjustment later if needed.



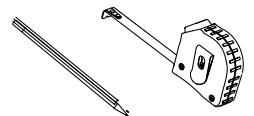
From inside the shower, measure up from the threshold on the inside of the **UChannel** to **68-1/4"** and mark a horizontal line for the bottom edge of the **Guide Rail Bracket (#06)**.

When placing the bracket to mark the hole for drilling, make sure the distance from the **front of the UChannel** to the **back of the bracket** is **1-1/4"**. This may create a small space between the **UChannel** and the **Guide Block**. With the inner block centered in the **Bracket**, mark the hole for drilling. **Fig 6**

Parts Needed



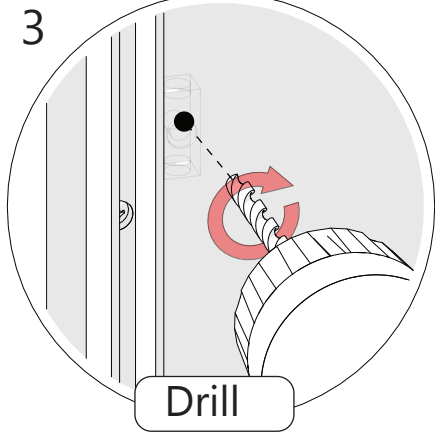
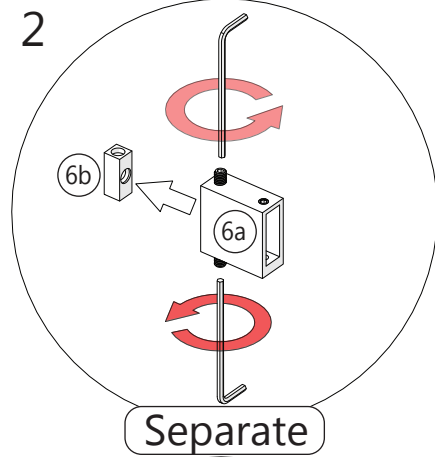
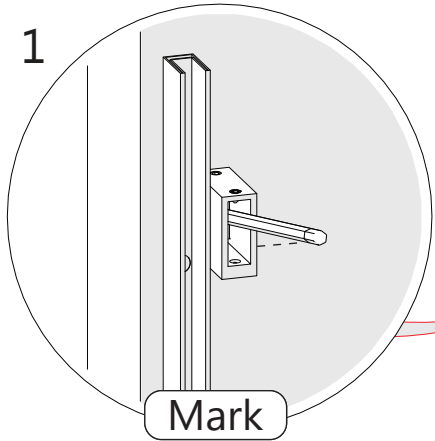
Tools Needed



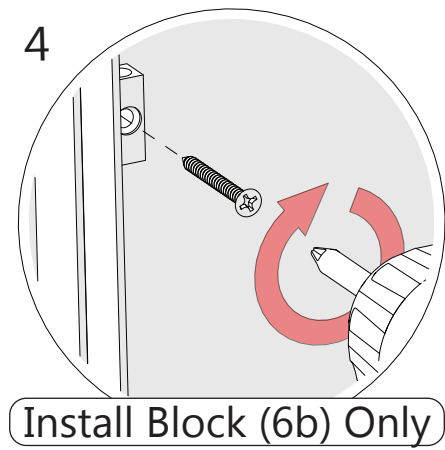
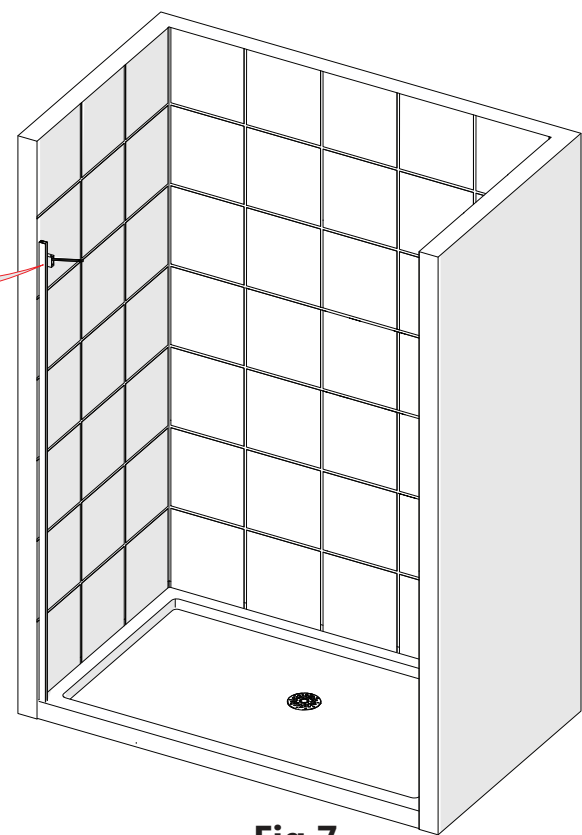
Right-hand door installation shown as example

7

Installing the Panel-side Guide Rail Block (6b)



(**See Drilling Instructions)



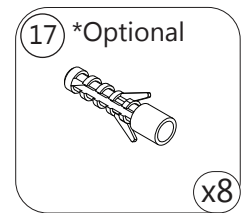
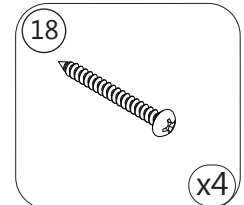
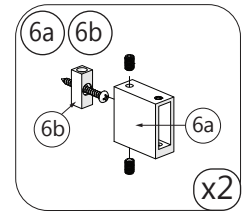
NOTE

If a stud is present behind the wall:
 Drill a $\text{Ø}3/16''$ (4mm) hole up to the stud. Pilot the stud with a $\text{Ø}1/8''$ (3mm) bit. Secure with an **ST4.2x55mm Countersunk Screw (#18)**.
 *If no stud is present in the wall:
 Drill a $\text{Ø}5/16''$ (7mm) hole and use **Wall Anchors (#17)** and the **Countersunk Screw (#18)** Fig 7

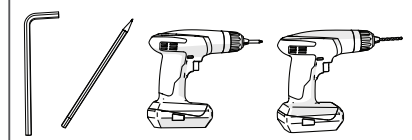


NOTE: Installation of the Guide Rail Brackets into a stud or other wood reinforcement is strongly recommended.

Parts Needed



Tools Needed



8 Installing Stoppers and Guide Rail Bracket Sleeves (6a) on Guide Rail

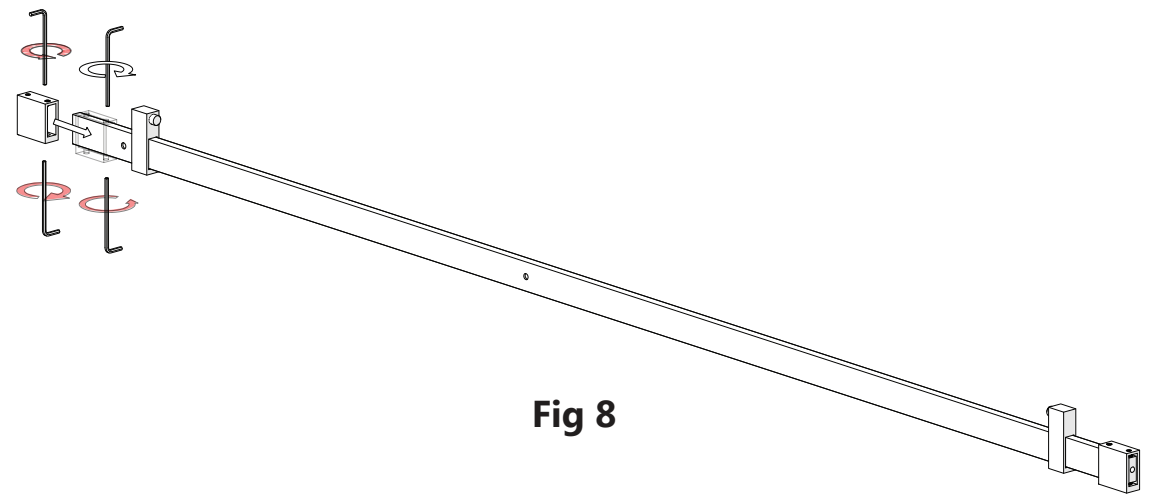
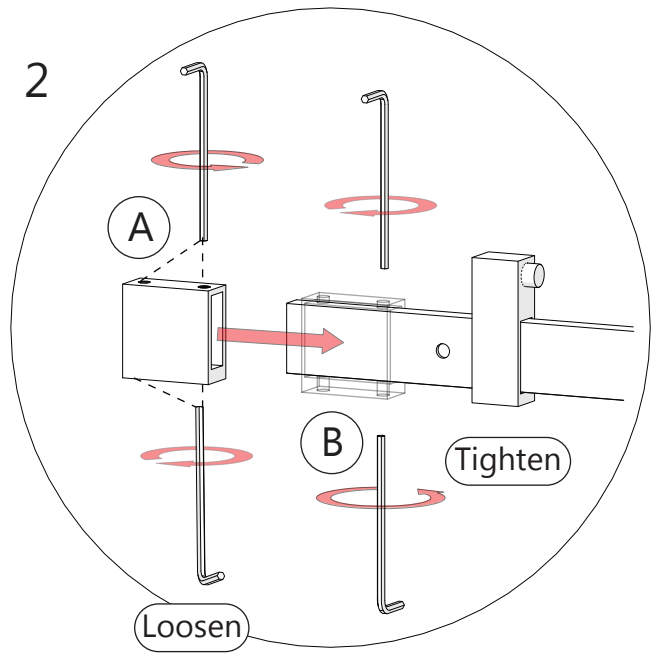
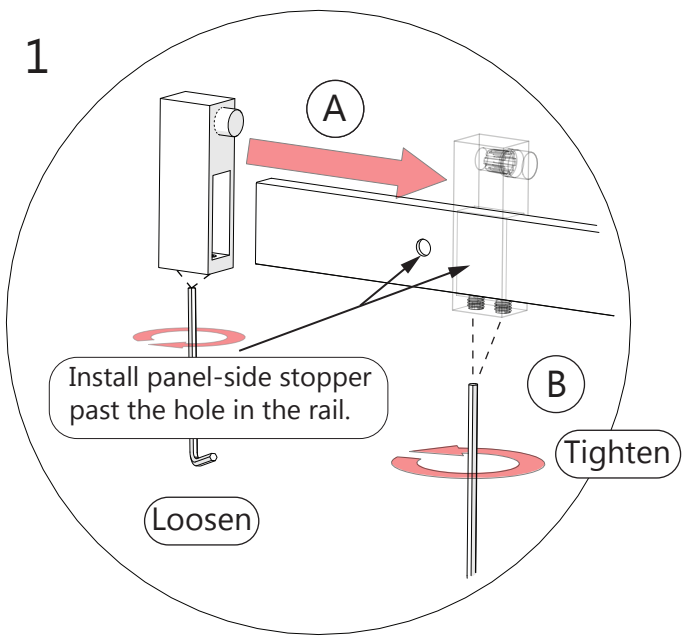
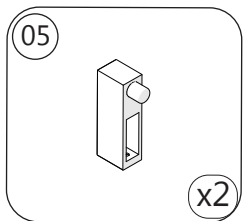
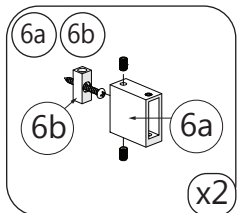


Fig 8

NOTE

Install the **Stoppers (#05)** and the **Guide Rail Bracket Sleeves (#6a)** on both ends of the **Guide Rail (#04)**, making sure the **Stopper** on the panel side does not block the hole in the **Guide Rail**. **Fig 8**

Parts Needed



Tools Needed



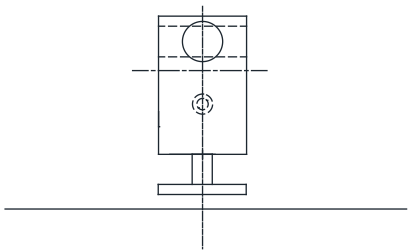
9

Dry Fit Panel Glass, Mark Guide Block for Installation

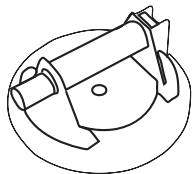
NOTE

Carefully dry fit the **Stationary Panel Glass (#02)** into the installed **UChannel (#01)**, aligning the glass parallel with the front threshold edge. **Fig 9**

Overhead view of threshold & guide block



Guide Block must be installed square to the plane of the glass



Use a Professional-grade Glass suction cup (if available) when handling heavy glass.

NOTE

Place Panel parallel with front threshold edge

NOTE

Fit the **Guide Block (#12)** into the notch in the **Panel Glass** as far as it will go. It should be square to the glass. **Fig 9**

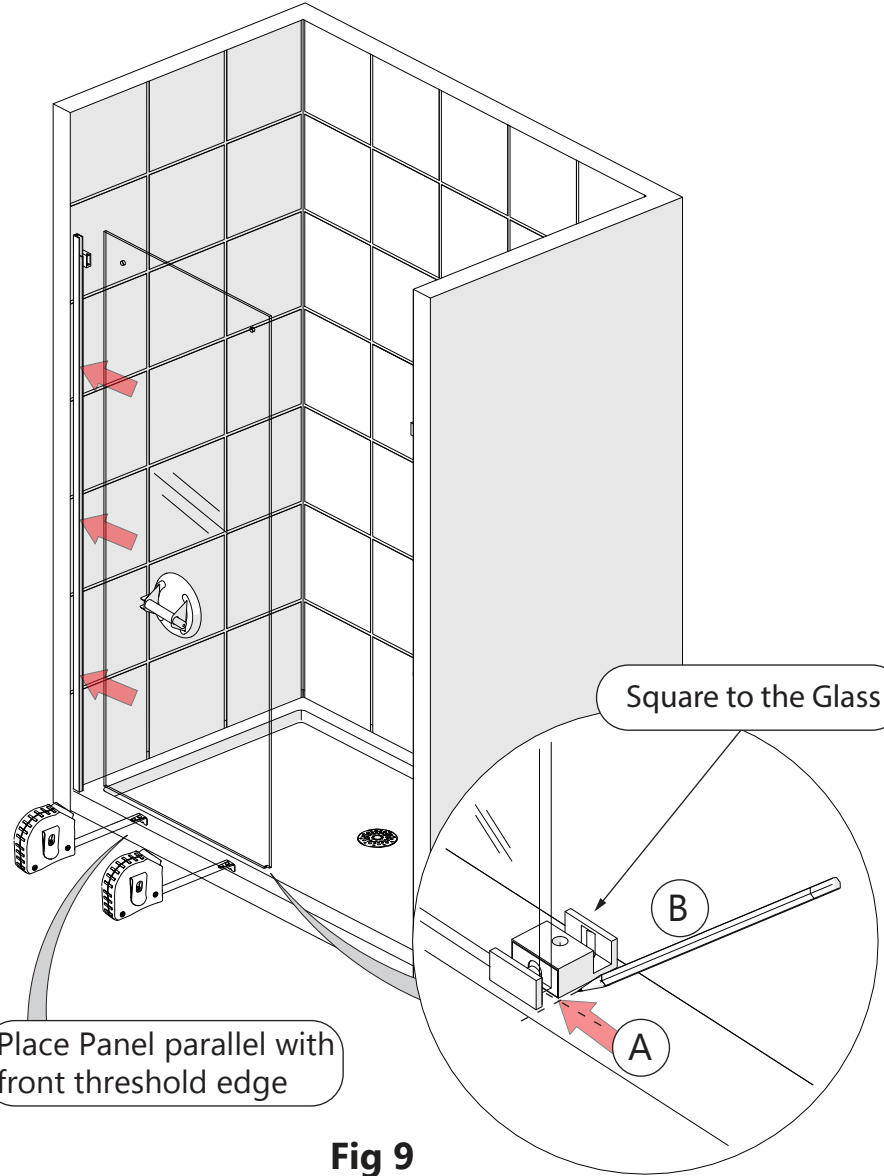
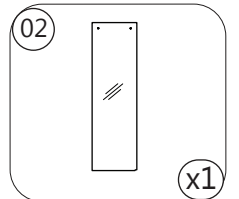
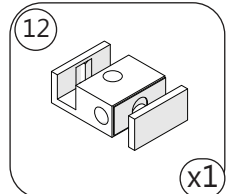
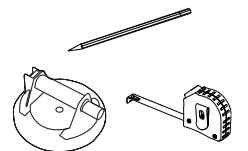


Fig 9

Parts Needed



Tools Needed



10 Remove Panel Glass, Install Guide Block w/out Faceplate



Leave the Faceplate off the **Guide Block** until after the **Panel Glass** is installed.

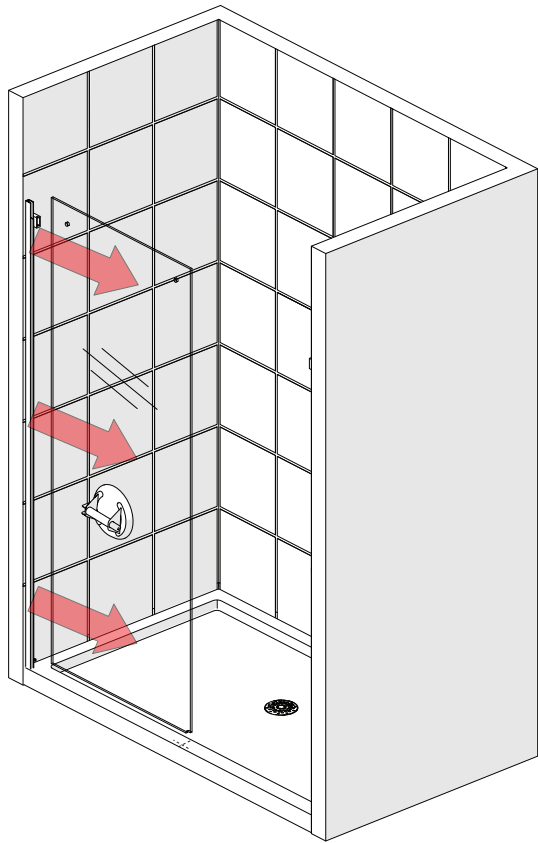
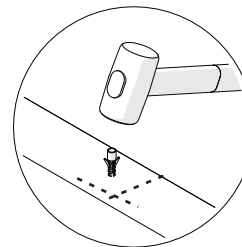
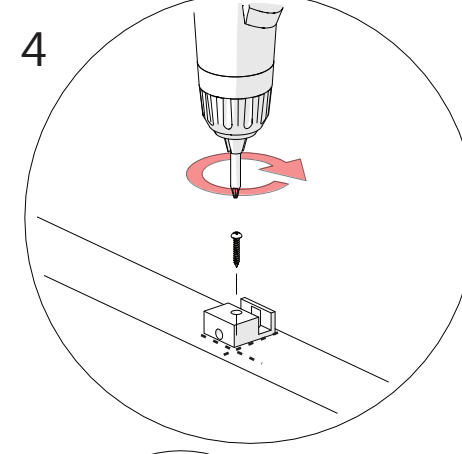
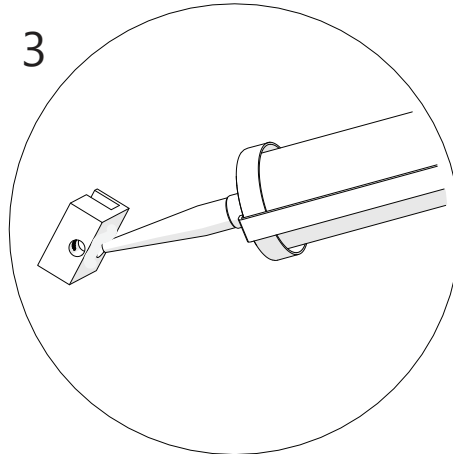
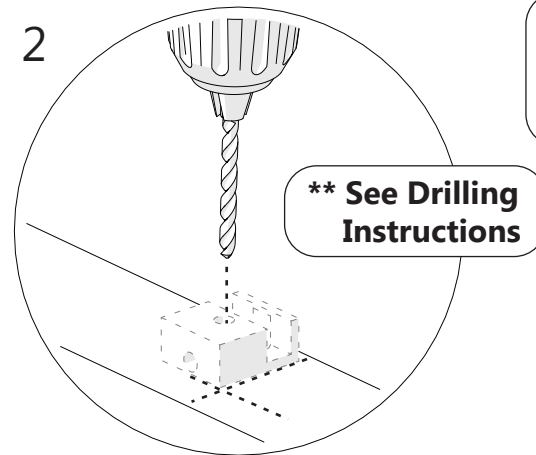
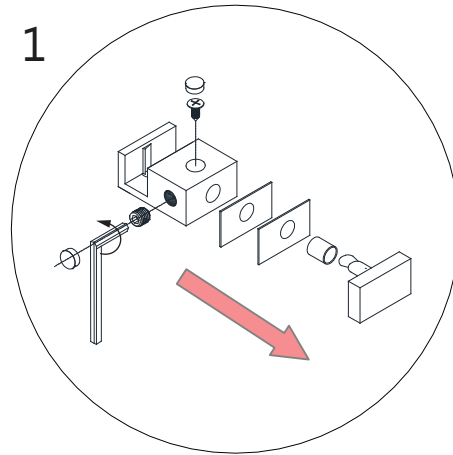
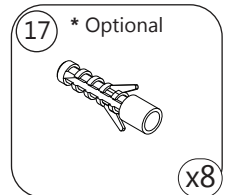
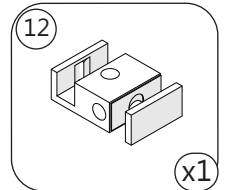


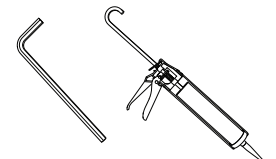
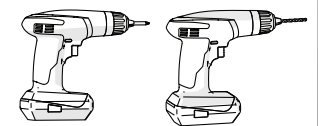
Fig 10



Parts Needed



Tools Needed



** Drilling Instructions:

For installation into a tile threshold over wood, drill a $\text{Ø}1/8''$ (3mm) hole.
 For installation into an acrylic, fiberglass or molded threshold, drill a $\text{Ø}1/8''$ (3mm) hole.
 *For installation into a prefabricated or composite base, drill a $\text{Ø}5/16''$ (8mm) hole and insert a **Wall Anchor (#17)**.

* Use anchor for prefabricated or composite base



11

Marking the Roller Wheels and Installing them on the Door Glass

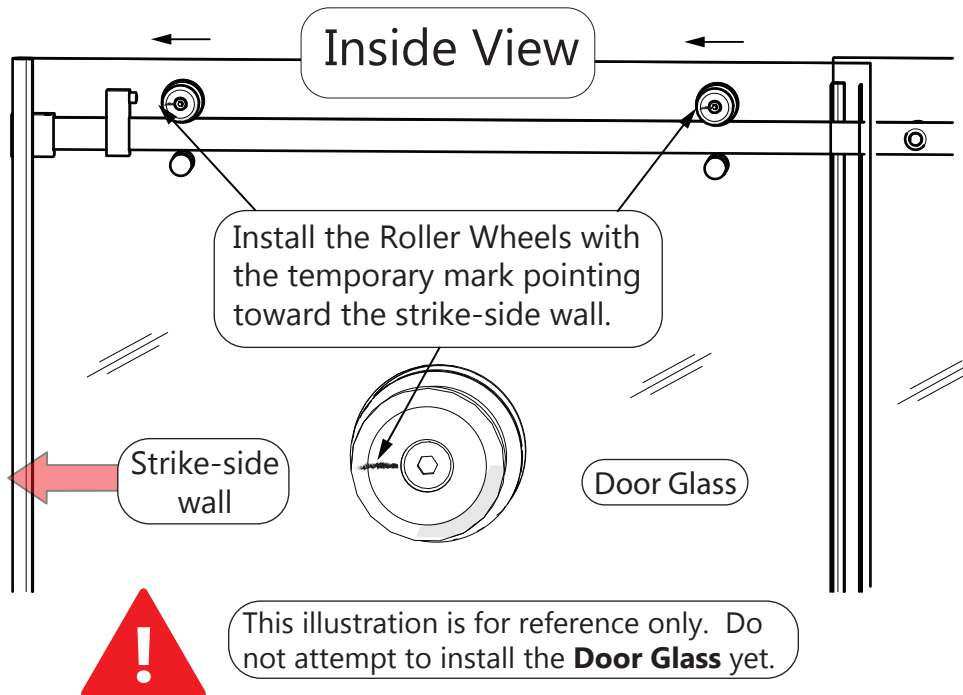
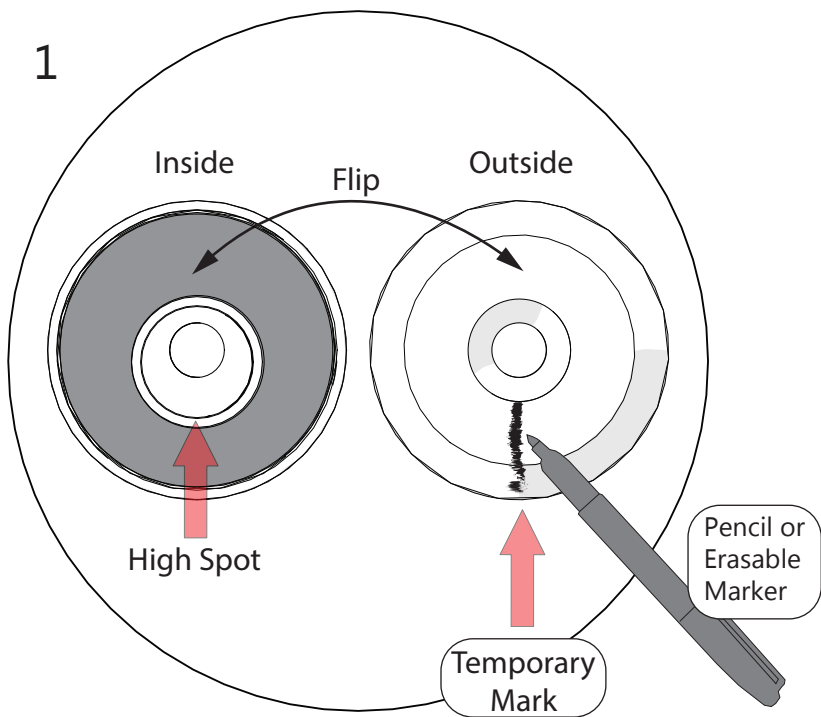


Fig 11

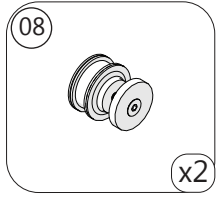
NOTE

Note the position of the handle holes relative to the **Roller Wheels**, and that the **Roller Wheels** face the outside of the shower.

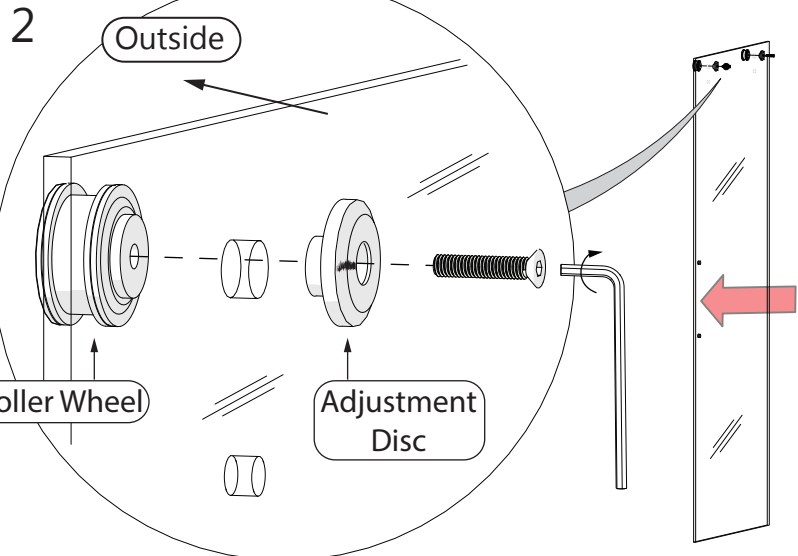
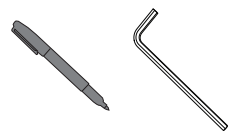
TIP

Use a small Allen Key in the dimple on the adjustment disc to hold it in place while tightening the bolts on the Roller Wheels.

Parts Needed

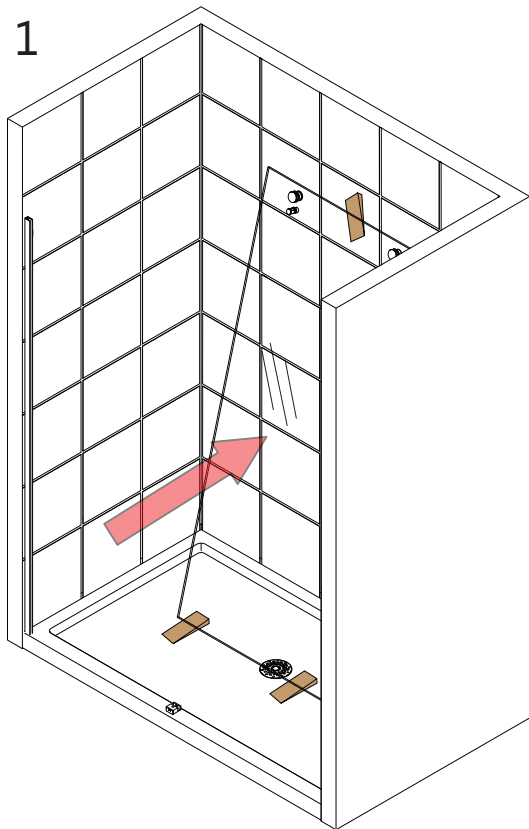


Tools Needed

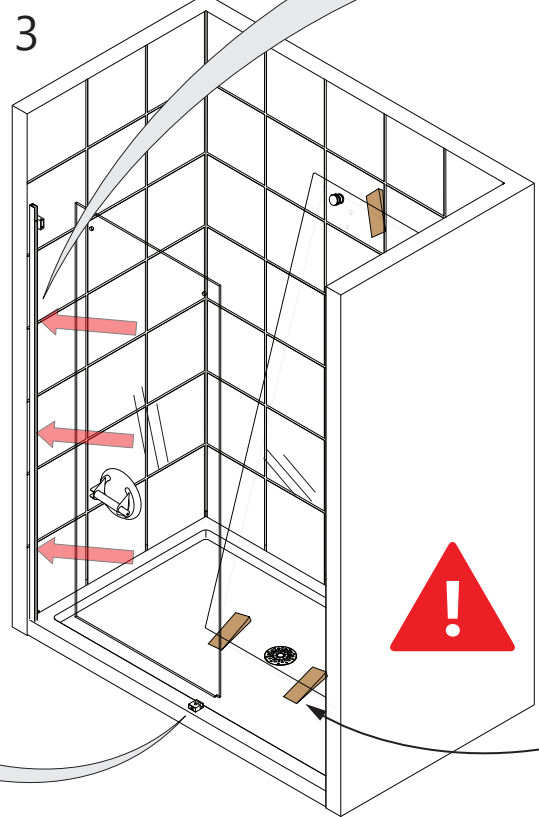
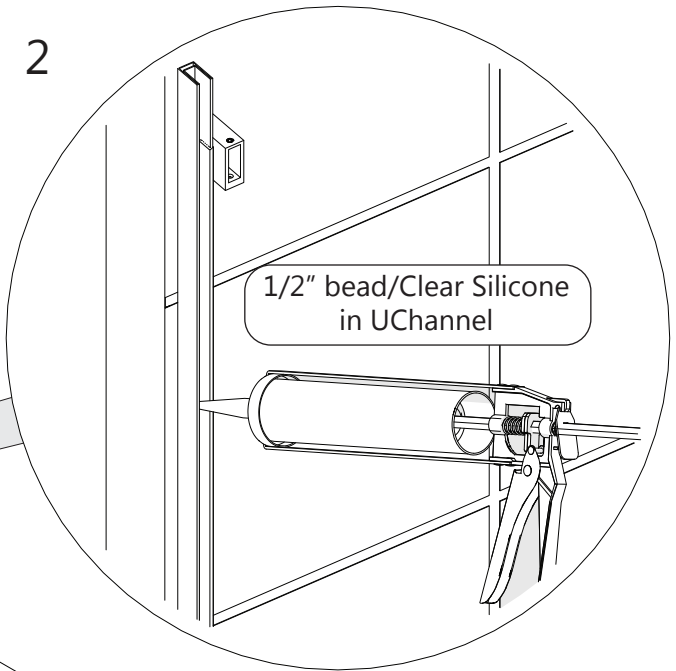
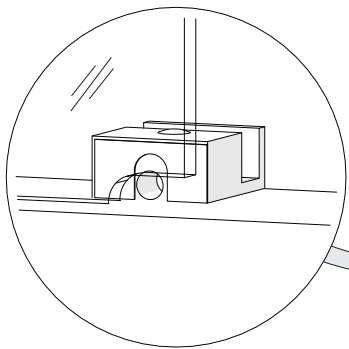


12

Place Door Glass in Opening, Install Stationary Glass

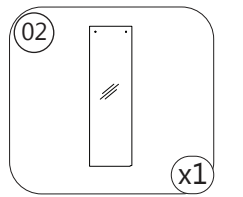
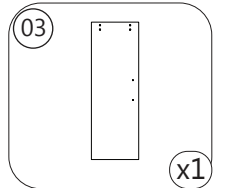


Place **Door Glass (#03)** inside opening, facing the correct way for installation



Do Not allow edges of **Door Glass (#03)** to contact anything as hard as glass or harder. Protect glass edges at all times.

Parts Needed



Tools Needed

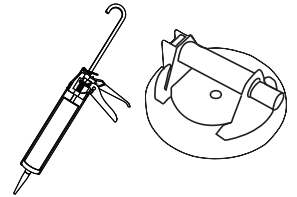


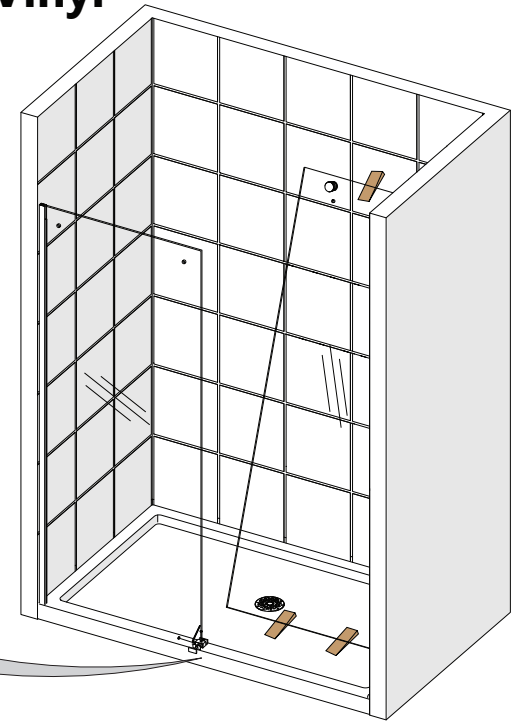
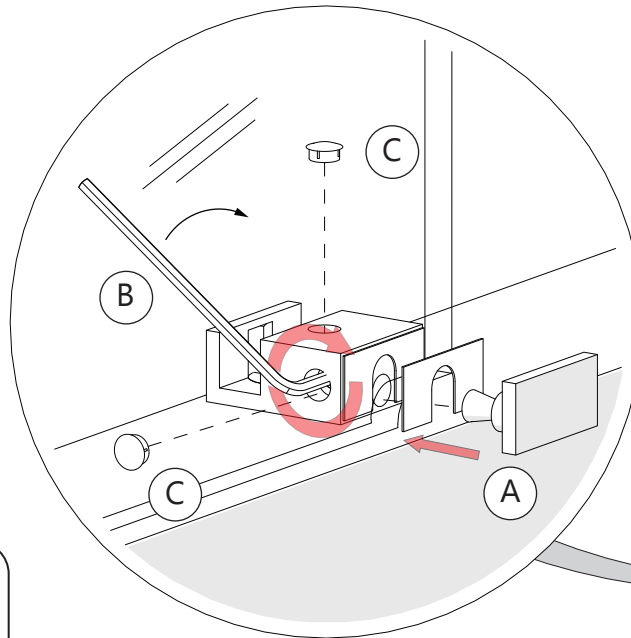
Fig 12

13

Install Guide Block Faceplate; Install Pinch Vinyl

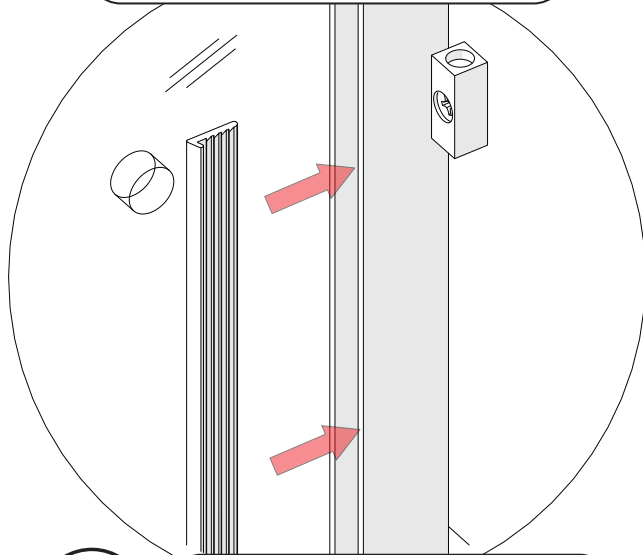
NOTE

- A) Install Faceplate with gaskets
- B) Tighten set screw
- C) Install caps



NOTE

The **Pinch Vinyl (#22)** snaps into place between the **Panel Glass** and the **UChannel** on the inside of the shower. **Fig 13**



TIP

Start from the bottom and work upward. Cut any excess.

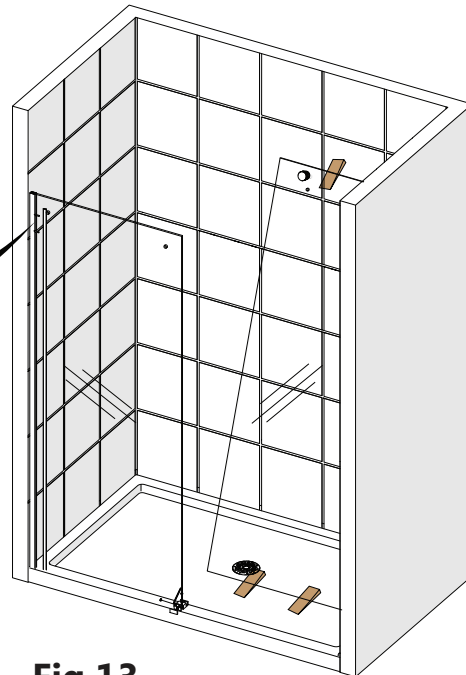
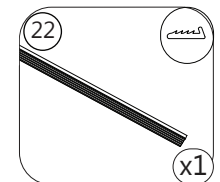
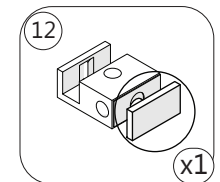
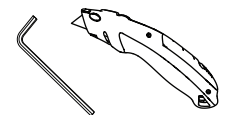


Fig 13

Parts Needed



Tools Needed

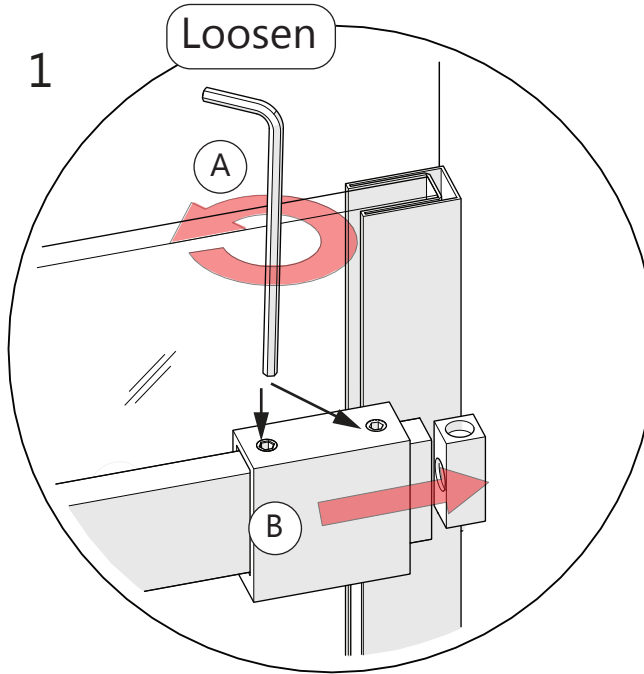


14

Install the Panel-side Guide Rail Bracket Sleeve

NOTE

Loosen the top and bottom set screws. Align the **Guide Rail Bracket (Pt 6A)** with the installed **Block (Part 6B)**. Slide the **Bracket** over the **Block** and tighten only the set screws nearest the wall. **Fig 14**



NOTE

TIP: Leave the set screws that hold the **Bracket** to the **Guide Rail** loose to allow for side-to-side adjustment of the **Guide rail** to make it easier to align the holes in the **Guide Rail** with the holes in the **Panel Glass**. **These set screws must be tightened after the holes are aligned and the Glass Brackets are installed.**

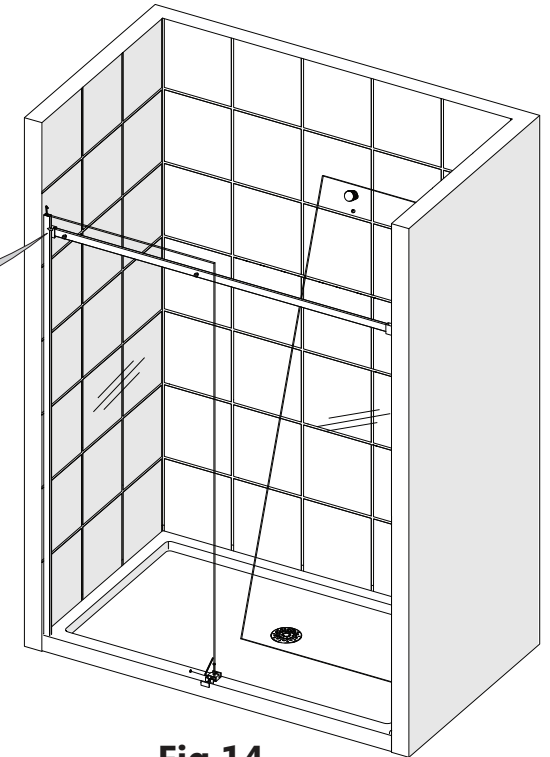
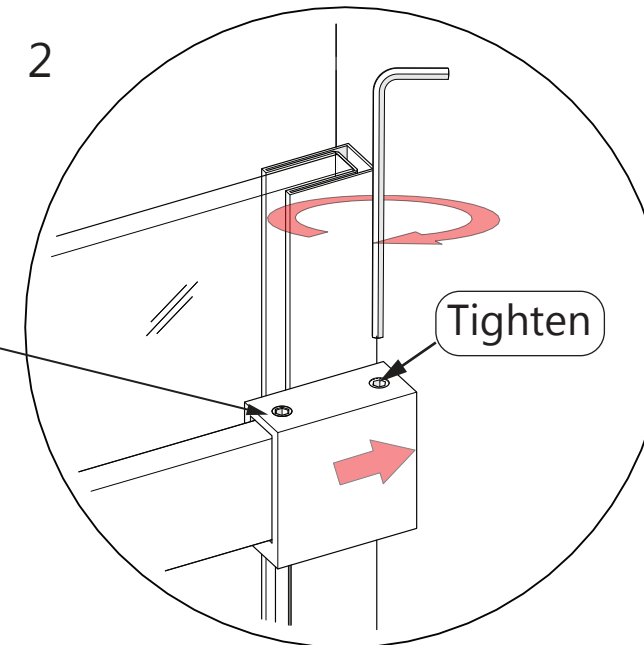
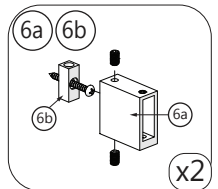


Fig 14

Parts Needed



Tools Needed



15

Install Glass Brackets/Connect Panel Glass to the Guide Rail

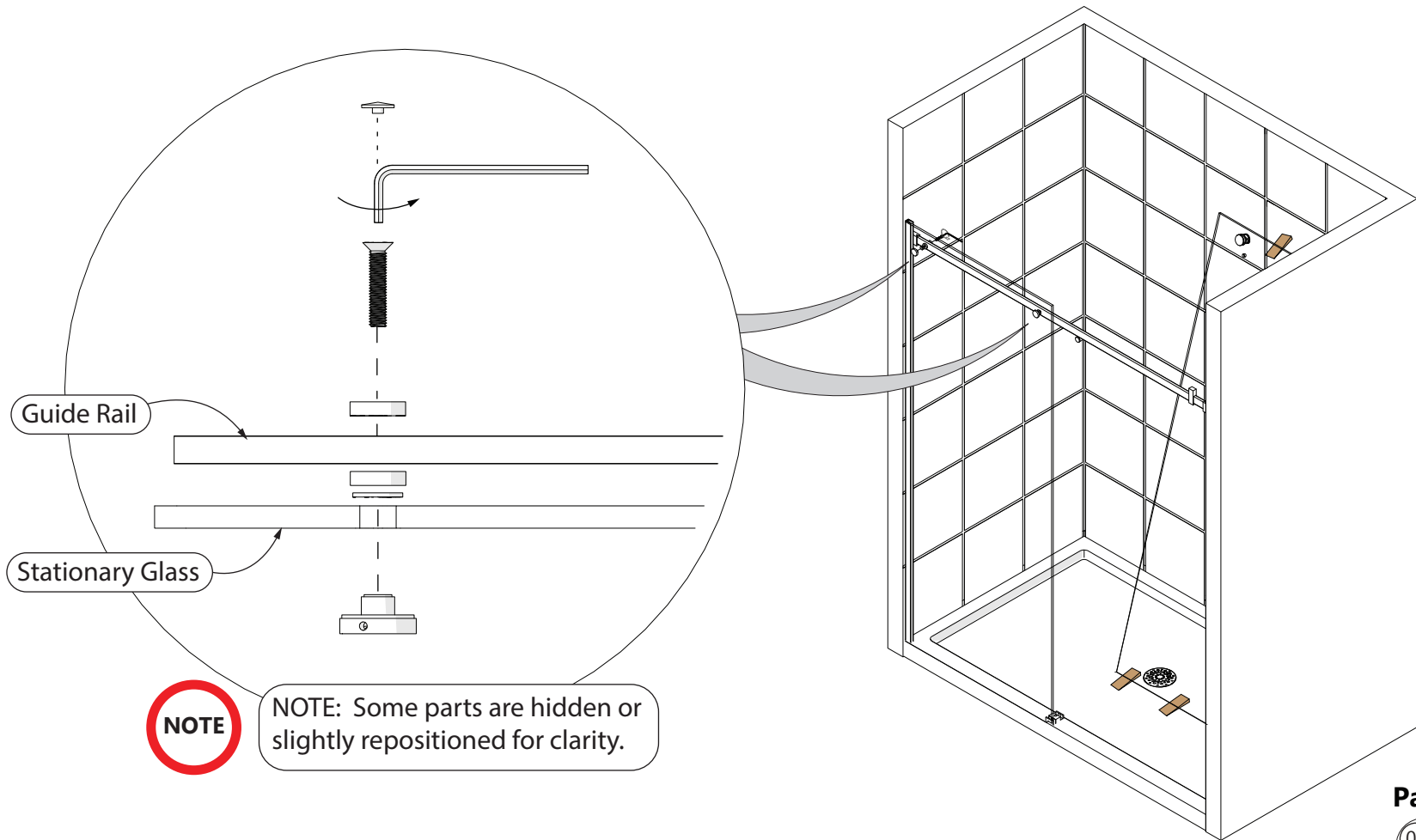
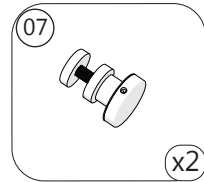


Fig 15

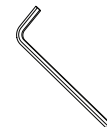
NOTE

Attach the **Stationary Glass (#02)** to the **Guide Rail (#04)** using the **Glass Brackets (#07)**. Leave the brackets slightly loose for the next step. **Fig 15**

Parts Needed



Tools Needed



16

Leveling the Guide Rail

NOTE

Level the **Guide Rail (#04)** across the opening. If necessary, use the outside set screws on the **Guide Rail Bracket (#06)** to adjust the level of the **Guide Rail (#04)** and then fully tighten the **Glass Brackets (#07)**. **Fig 16**

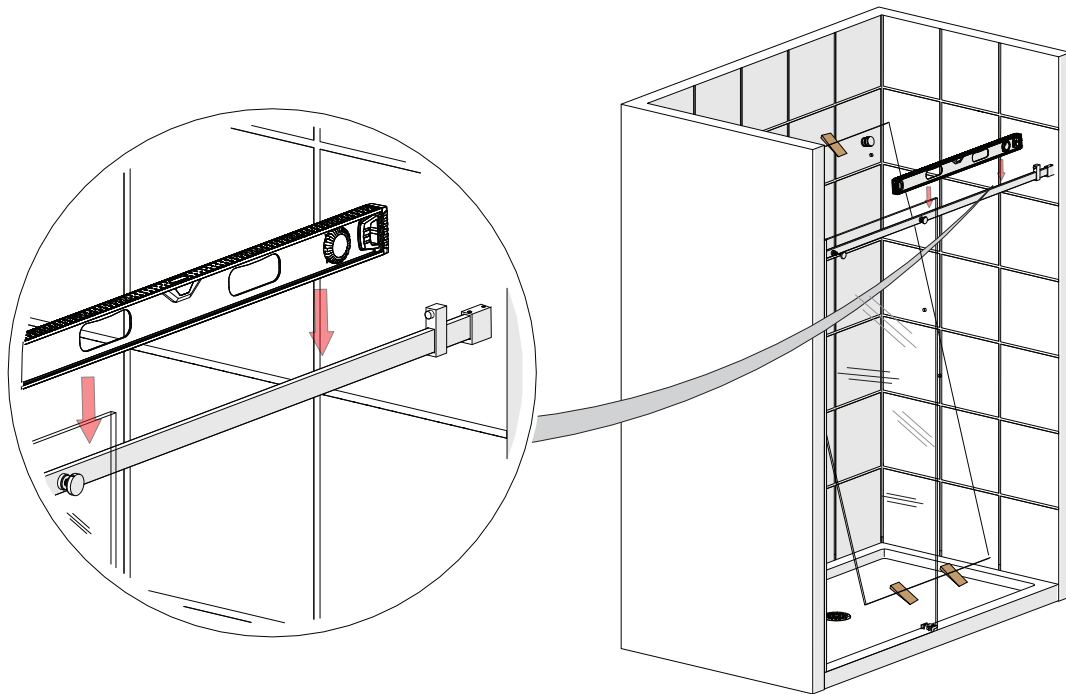


Fig 16

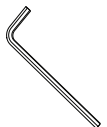
NOTE

The **Glass Brackets (#07)** will need to be temporarily loosened to perform this procedure correctly.. **Fig 16**

To lower the rail:
Loosen the top set screw and tighten the bottom set screw.

To raise the rail:
Loosen the bottom set screw and tighten the top set screw.

Tools Needed



17

Marking the Door-Side Guide Rail Bracket

NOTE

Using the 'reference line' on the door-side of the threshold from **Step #2**, draw a plumb line up the wall on the door side of the opening. To place the **Guide Rail Bracket**, measure over **1-1/4"** into the shower from this line. With the **Guide Rail (#04)** level, mark the position of the **Guide Rail Bracket (#06)** on the wall. **Fig 17**

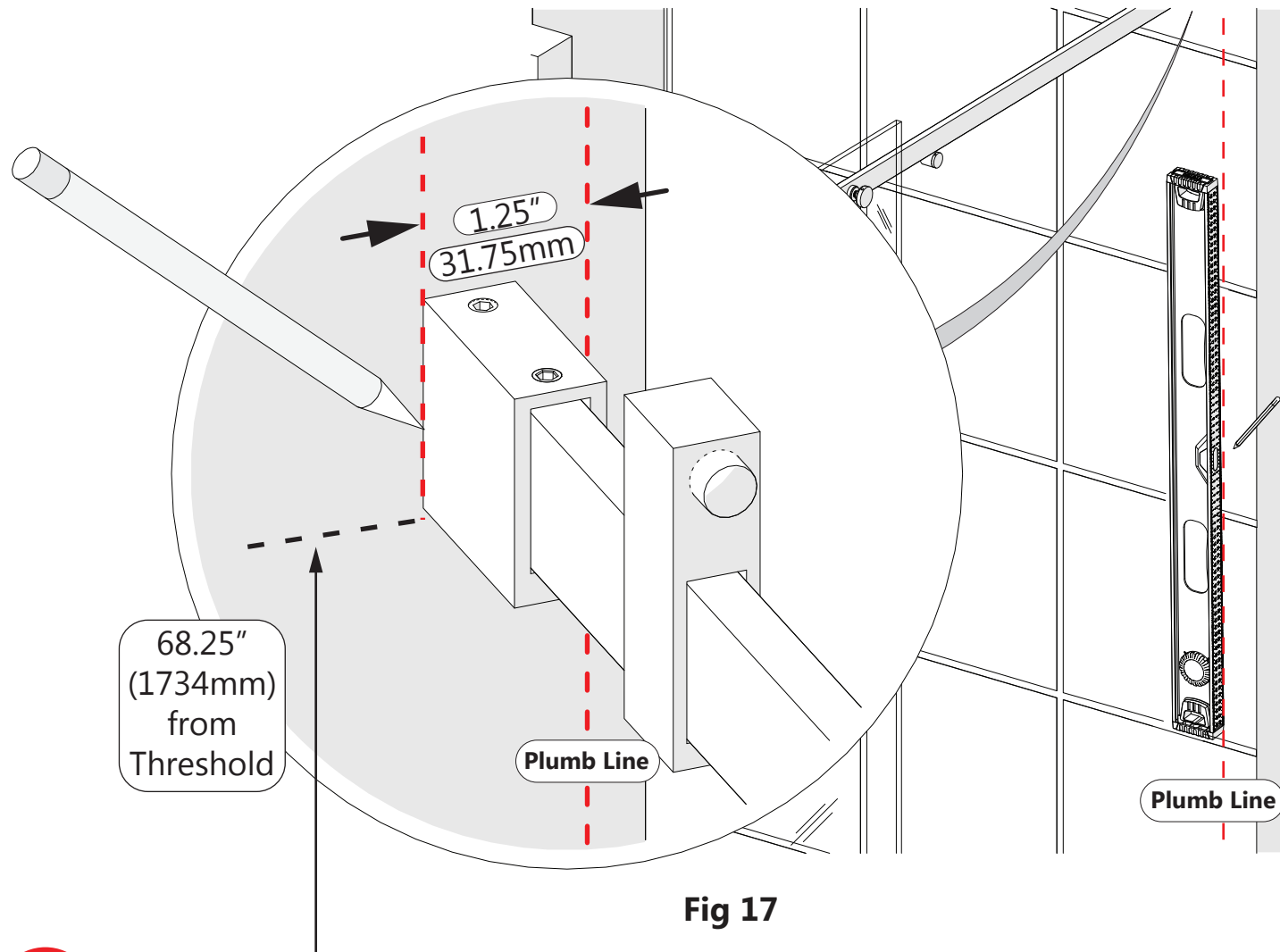
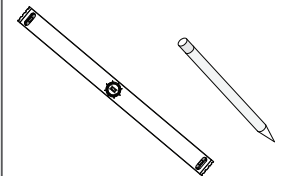


Fig 17

NOTE

If done correctly (assuming Guide Rail and threshold are level) the bottom of the Guide Rail Bracket should be about **68-1/4" (1734mm)** from the threshold. **Fig 17**

Tools Needed



18

Installing the Door-Side Guide Rail Bracket

NOTE

Remove the **Guide Rail (#04)** from the **Stationary Panel Glass (#02)**. Remove the **Guide Rail Bracket (#06)** from the **Guide Rail (#04)** and hold it in position on the wall. Mark the hole for drilling and then drill it, using the drilling instructions below. Separate the **Guide Rail Bracket (#06)** components **6a and 6b**. Attach the **Block (#06b)** to the wall using the provided screw and **Wall Anchor (#17)** if needed. **Fig 18**

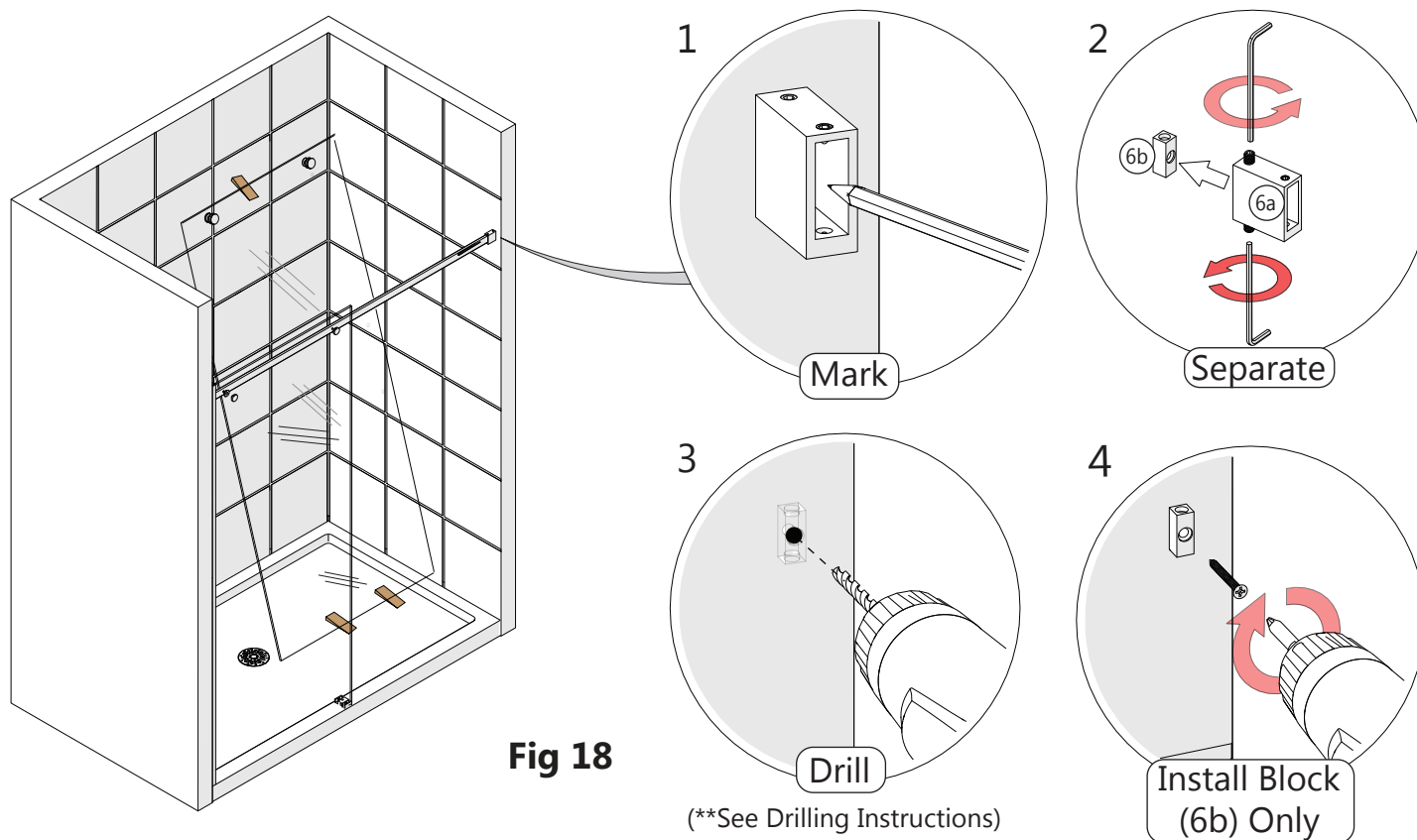
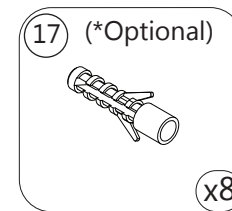
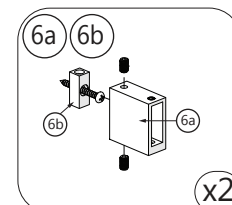


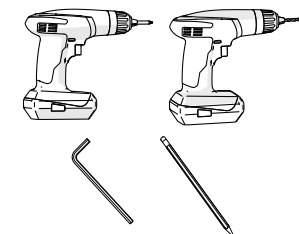
Fig 18

(**See Drilling Instructions)

Parts Needed



Tools Needed



NOTE

If a stud is present behind the wall:

Drill a $\text{Ø}3/16''$ (4mm) hole up to the stud. Pilot the stud with a $\text{Ø}1/8''$ (3mm) bit and use the screw provided with the **Guide Rail Bracket (#6a/6b)**.

OR

***If no stud is present behind the wall:**

drill a $\text{Ø}5/16''$ (7mm) hole and insert the **Wall Anchors (#17)** and use the **screw provided with the Guide Rail Bracket (#6a/6b)**

19

Re-Installing the Guide Rail and Guide Rail Brackets

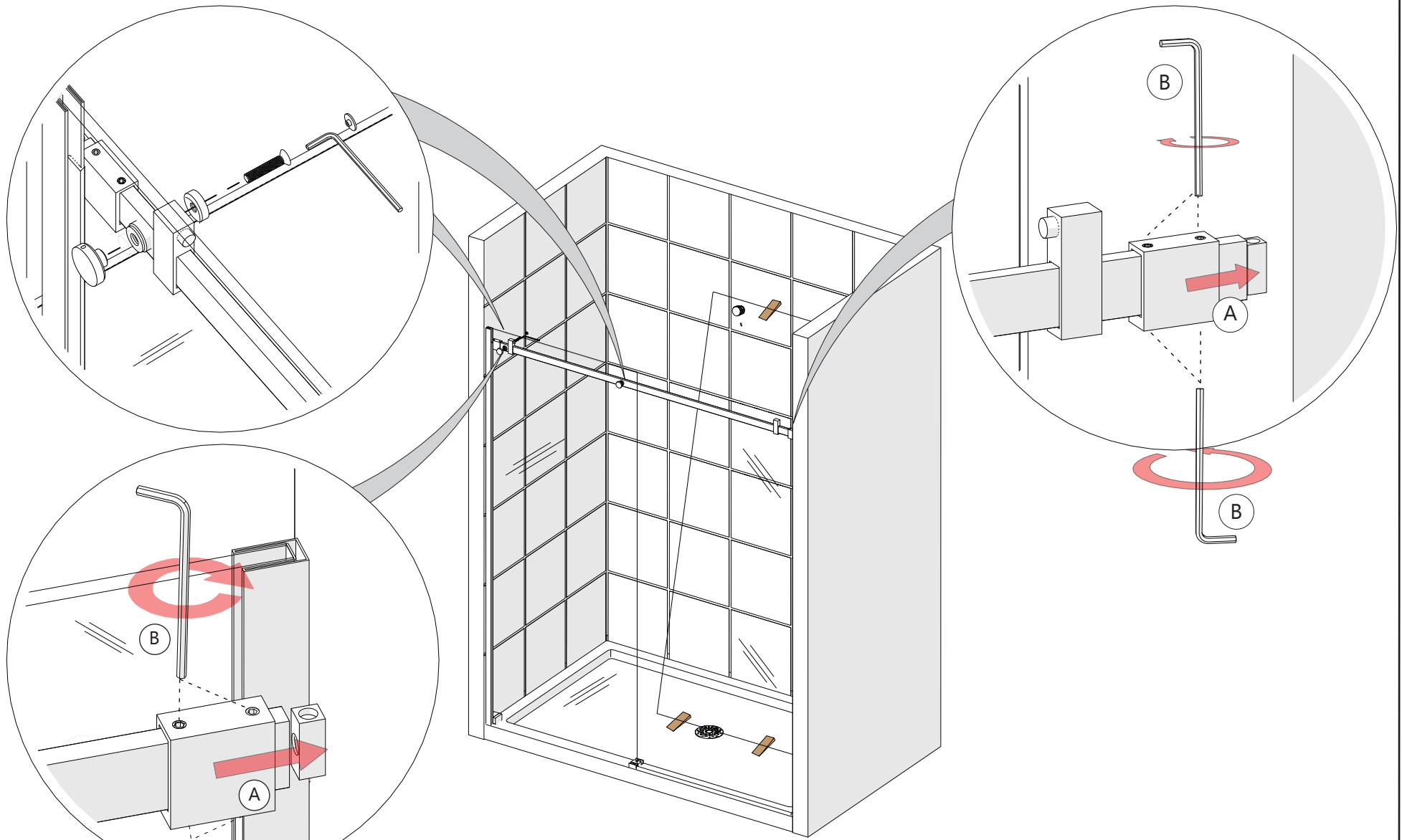


Fig 19

NOTE

Re-check the **Guide Rail (#04)** for level. If necessary, adjust with the outside set screws on the **Guide Rail Brackets (#06a/06b)** as seen in **Step 16** on **Page 23**. **Fig 19**

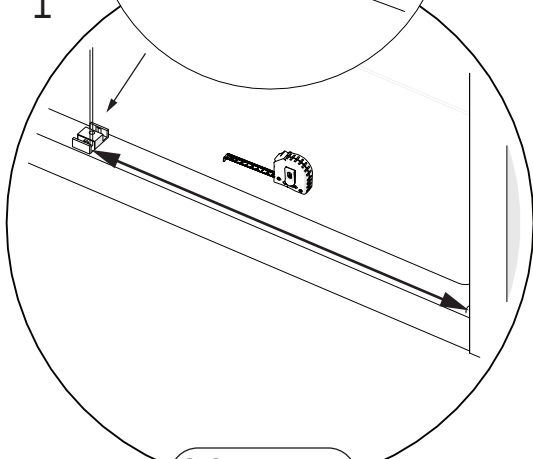
Tools Needed

20

Installing the Dam Strip and Cap

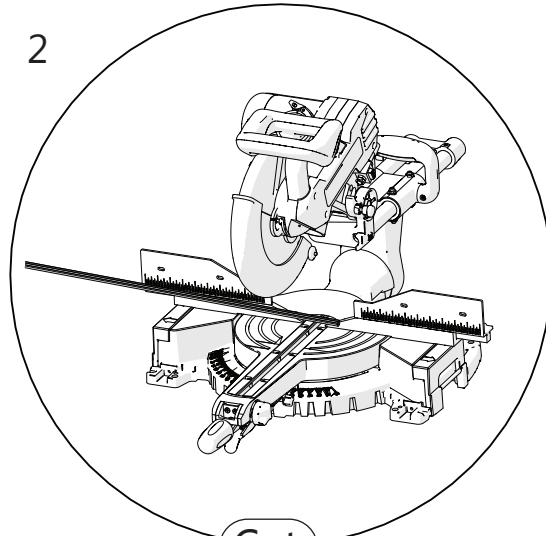
Dam strip inserts under Panel Glass

1



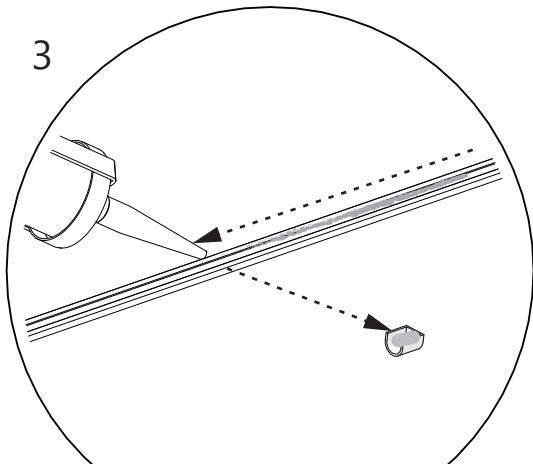
Measure

2



Cut

3



Apply silicone to bottom of **Dam Strip** and **Cap**.

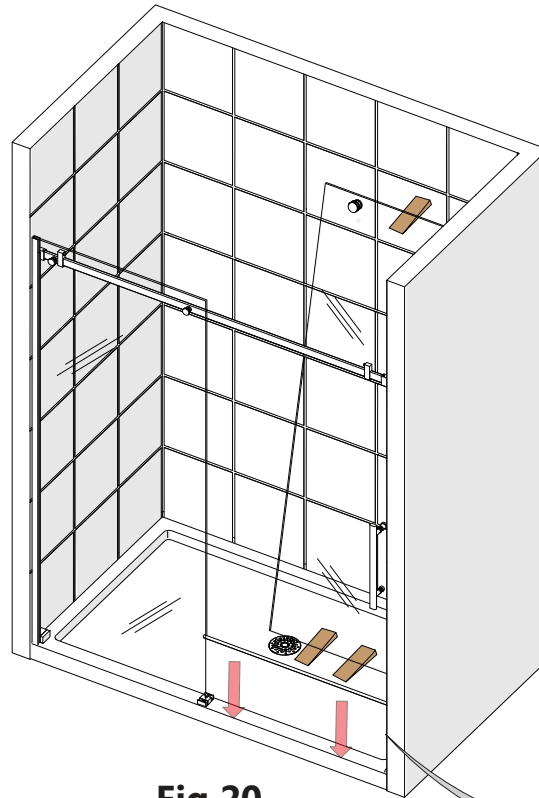
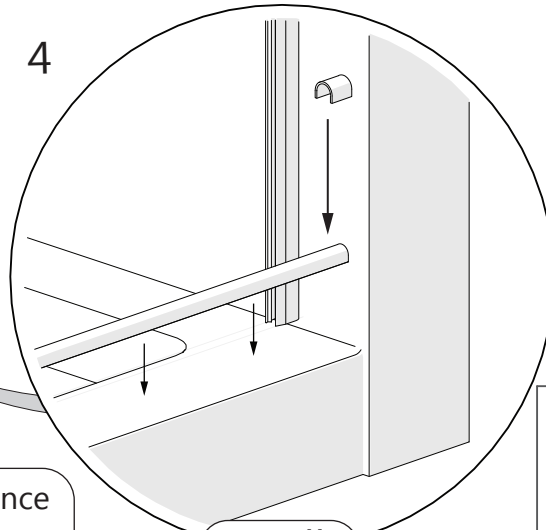


Fig 20

4



Install

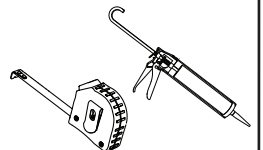


Tape the Dam Strip in place once installed until the silicone sets up.

Parts Needed

- 11 x1
- 10 x1

Tools Needed



21

Hanging the Door Glass

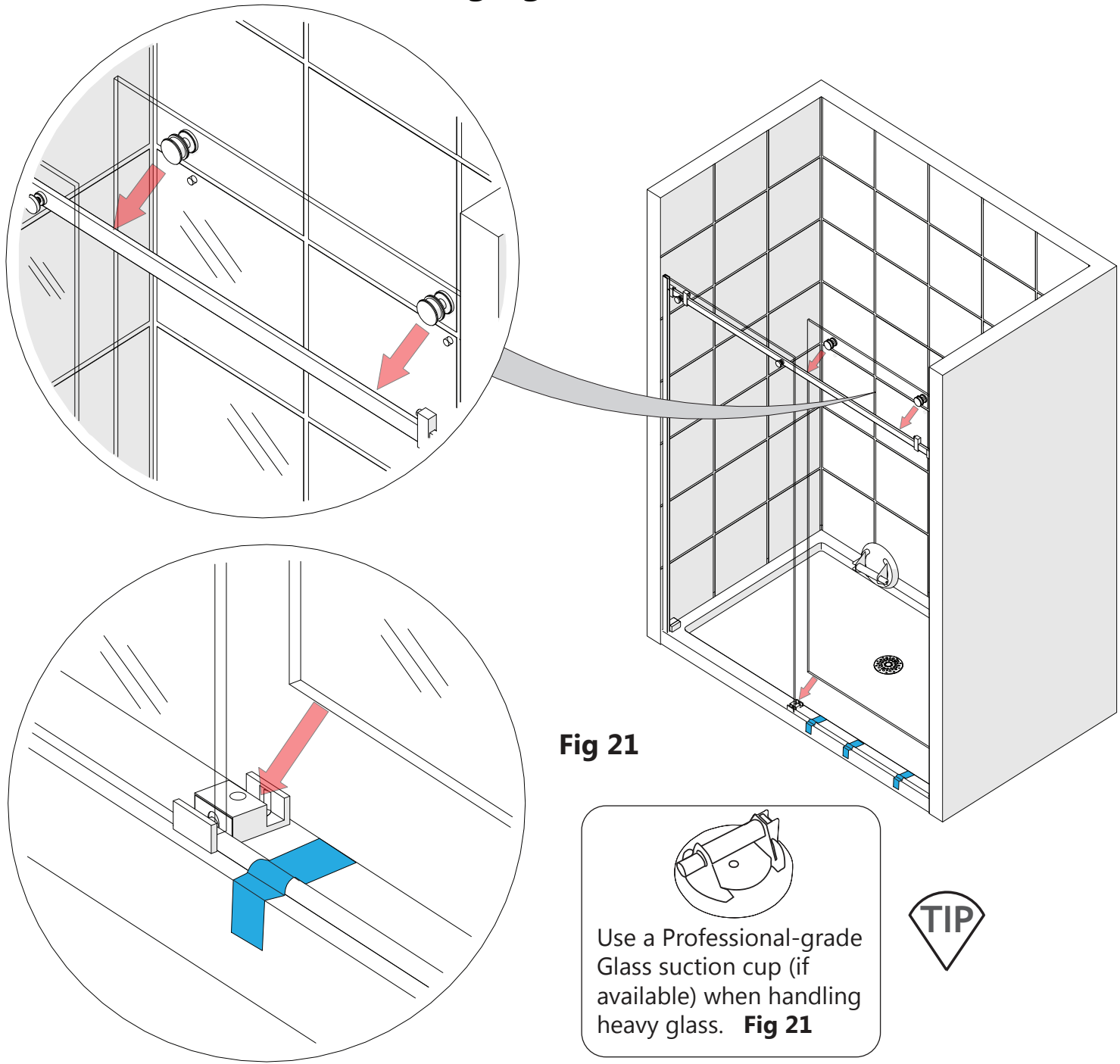
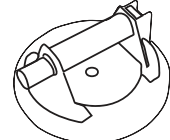
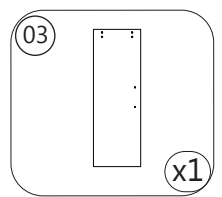


Fig 21

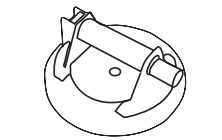

 Use a Professional-grade Glass suction cup (if available) when handling heavy glass. **Fig 21**



Parts Needed



Tools Needed



22

Installing the Roller Guards

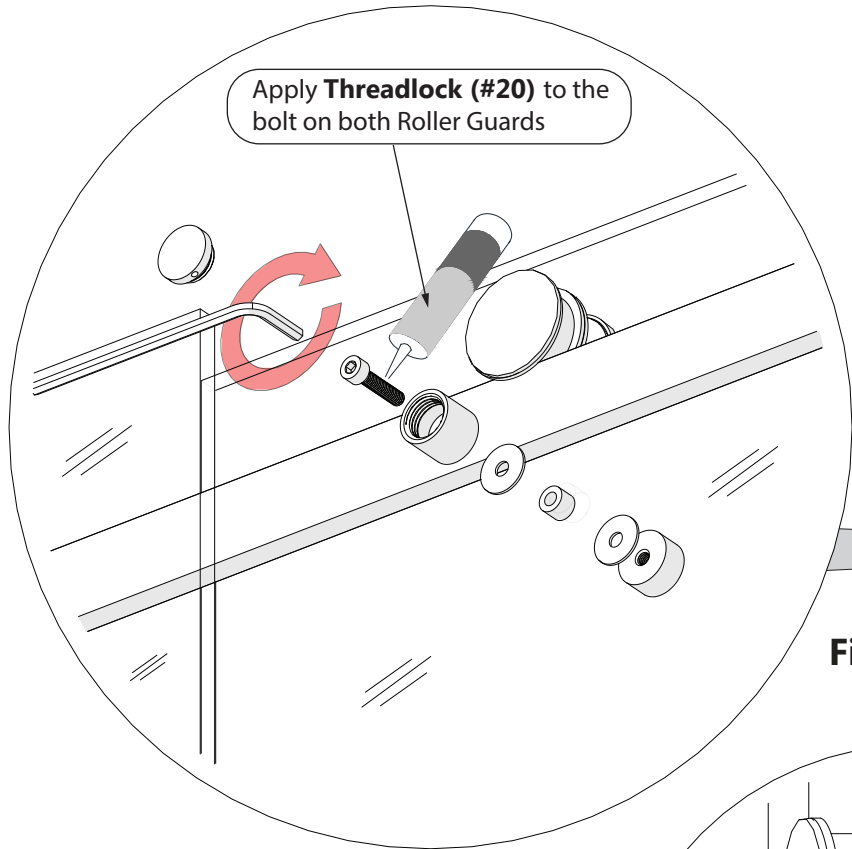
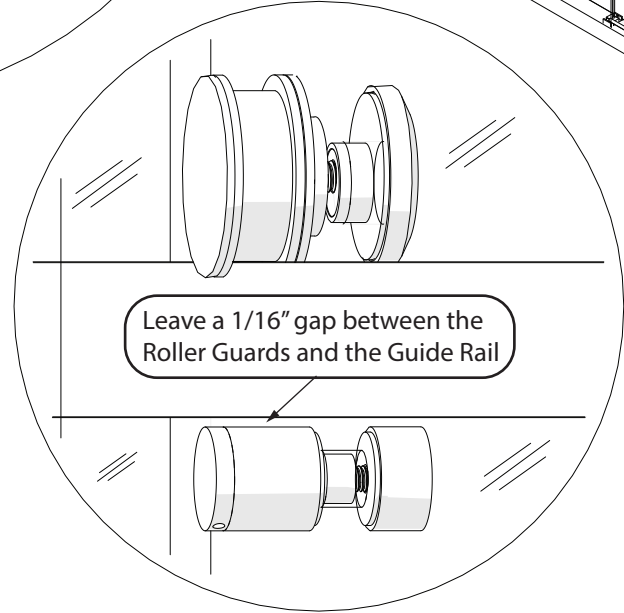
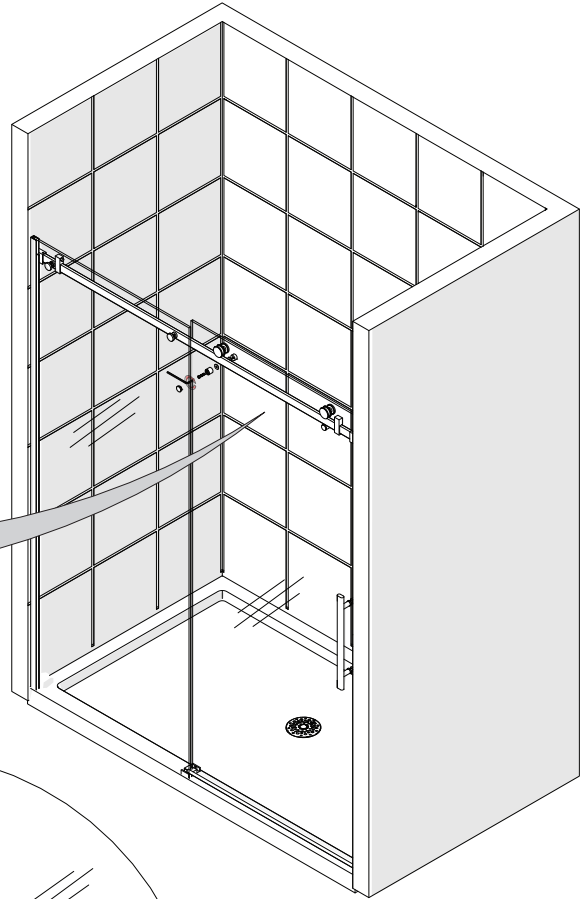
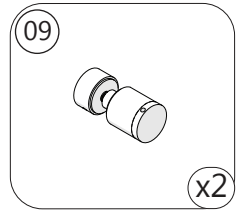
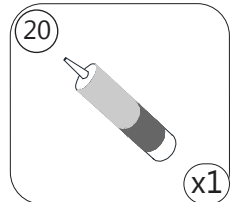


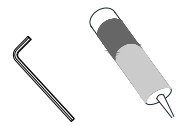
Fig 22



Parts Needed



Tools Needed



23

Installing the Handle

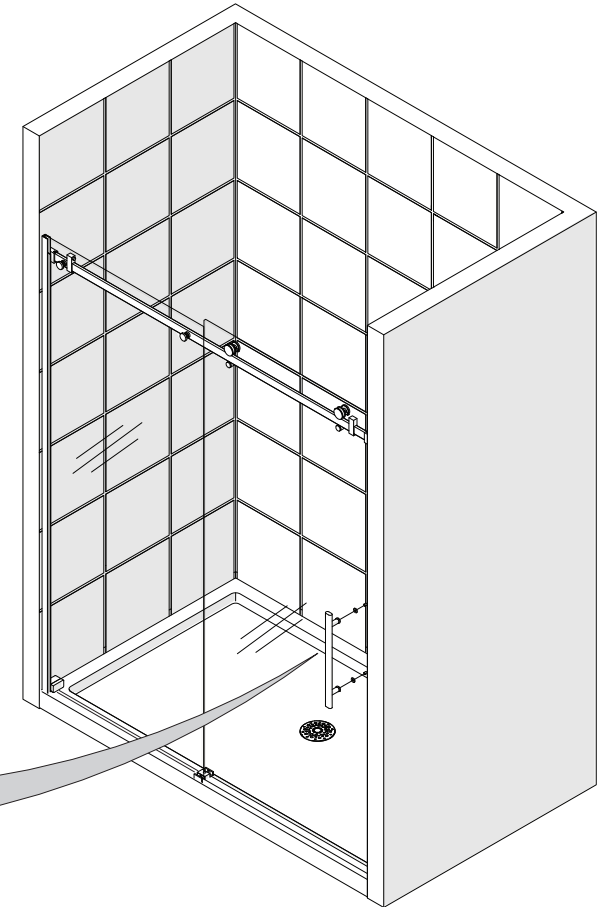
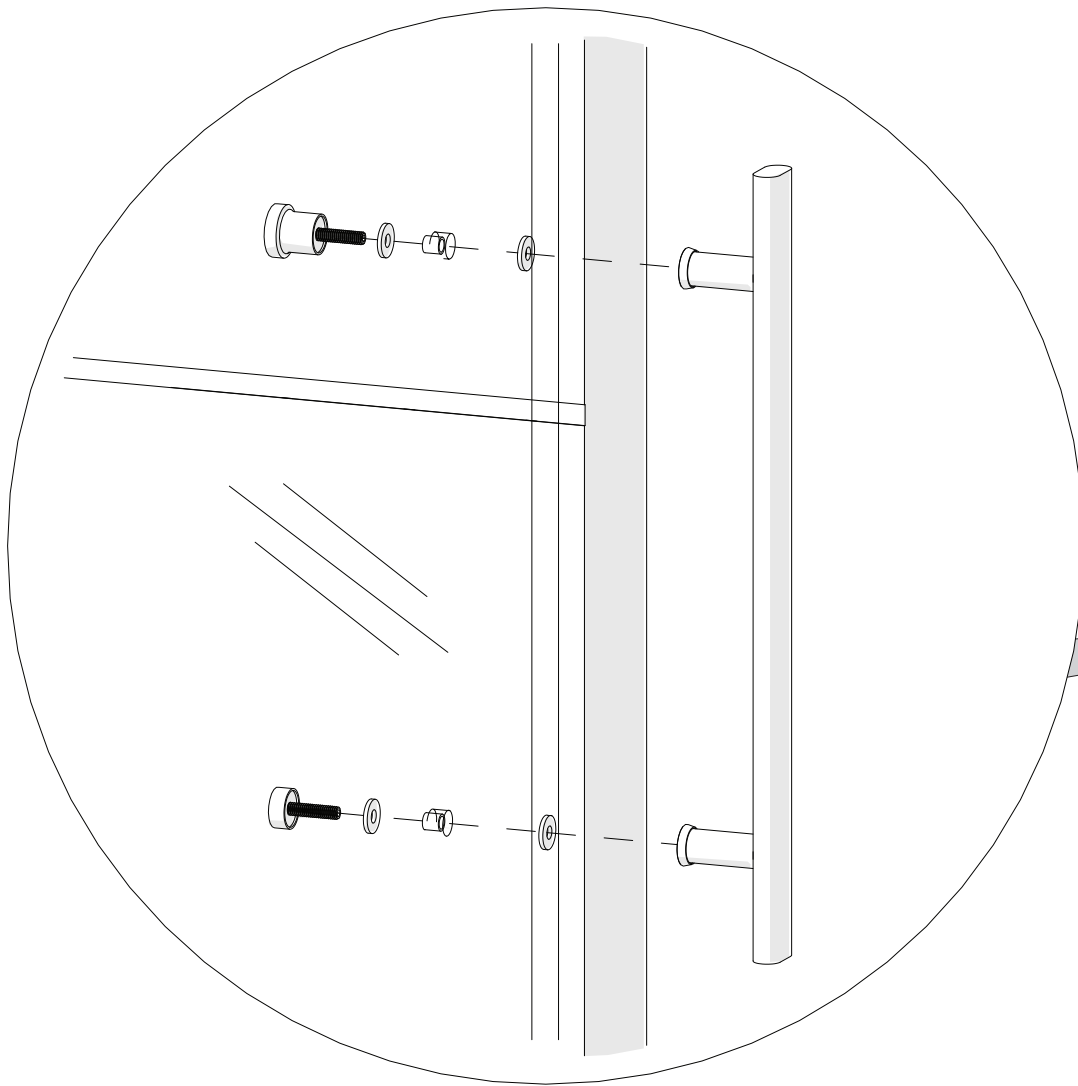
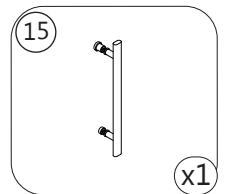


Fig 23

Parts Needed



24

Installing the Vinyls

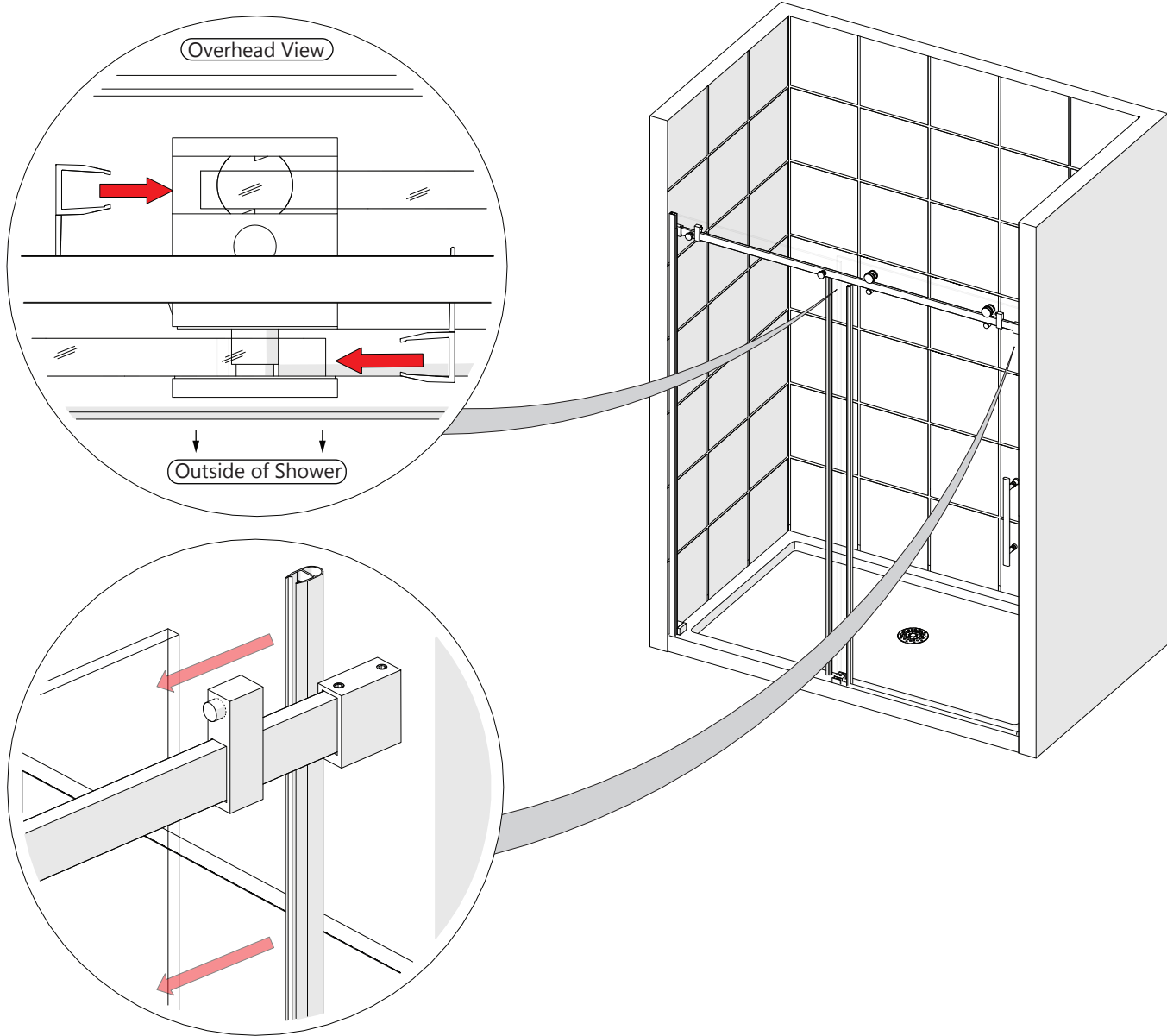


Fig 24

Parts Needed

- | | |
|----|----|
| 13 | F |
| | |
| | x2 |
| 14 | C |
| | |
| | x1 |

25

Adjusting the Roller Wheels (If needed)

NOTE

The discs on the backs of the Roller Wheels have oblong centers and can be rotated to tilt the door glass slightly to create a tight seal with the wall. The temporary marks made in Step 11 (now facing the strike-side wall) indicate the high spot. **Fig 25**

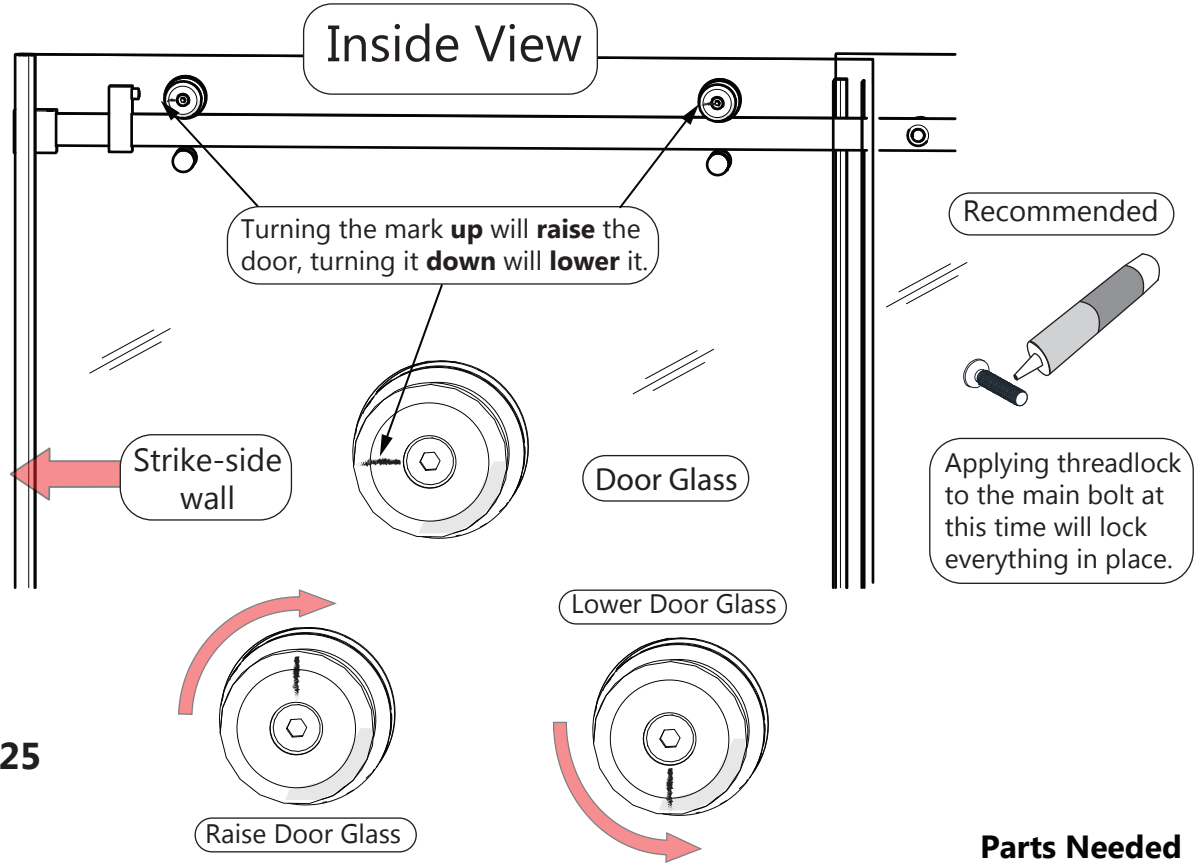
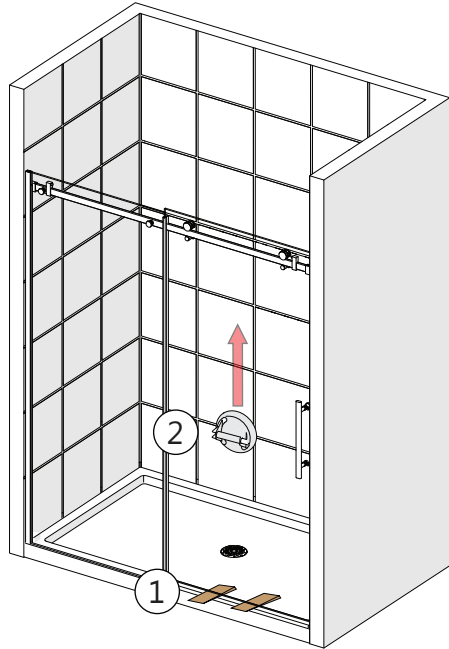
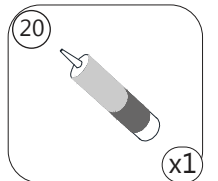


Fig 25

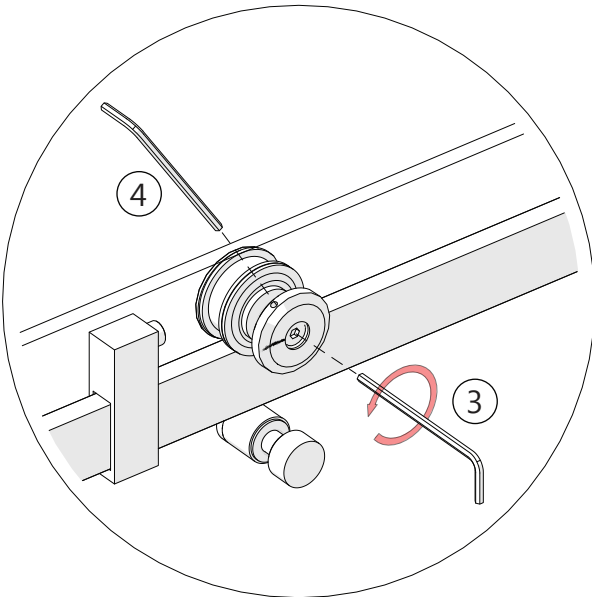
Roller Wheel Adjustment Procedure:

- 1) Place shims under the door glass to avoid contact with the Guide Block or threshold.
- 2) Have a helper lift up slightly on the door glass to make adjustment easier.
- 3) Loosen the main bolt and use a 2nd Allen Key to turn the adjustment disc up or down to raise or lower the door glass on that side.
- 4) Once the Bumper Vinyl meets the wall evenly, tighten the main bolt while holding the adjustment disc in place with the Allen Key to prevent it from turning.

Parts Needed



Tools Needed



26

Installing the Safestop™ Bumper

NOTE

To install the **Bumper (#16)**: Remove the **3M Tape** backing and position the **Bumper (#16)** on the threshold behind the **U-Channel (#01)** on the stationary panel side of the installation. **Fig 26**

TIP

All surfaces need to be clean and free of construction debris before installing the bumper. Wipe the area with an alcohol swab before installation.

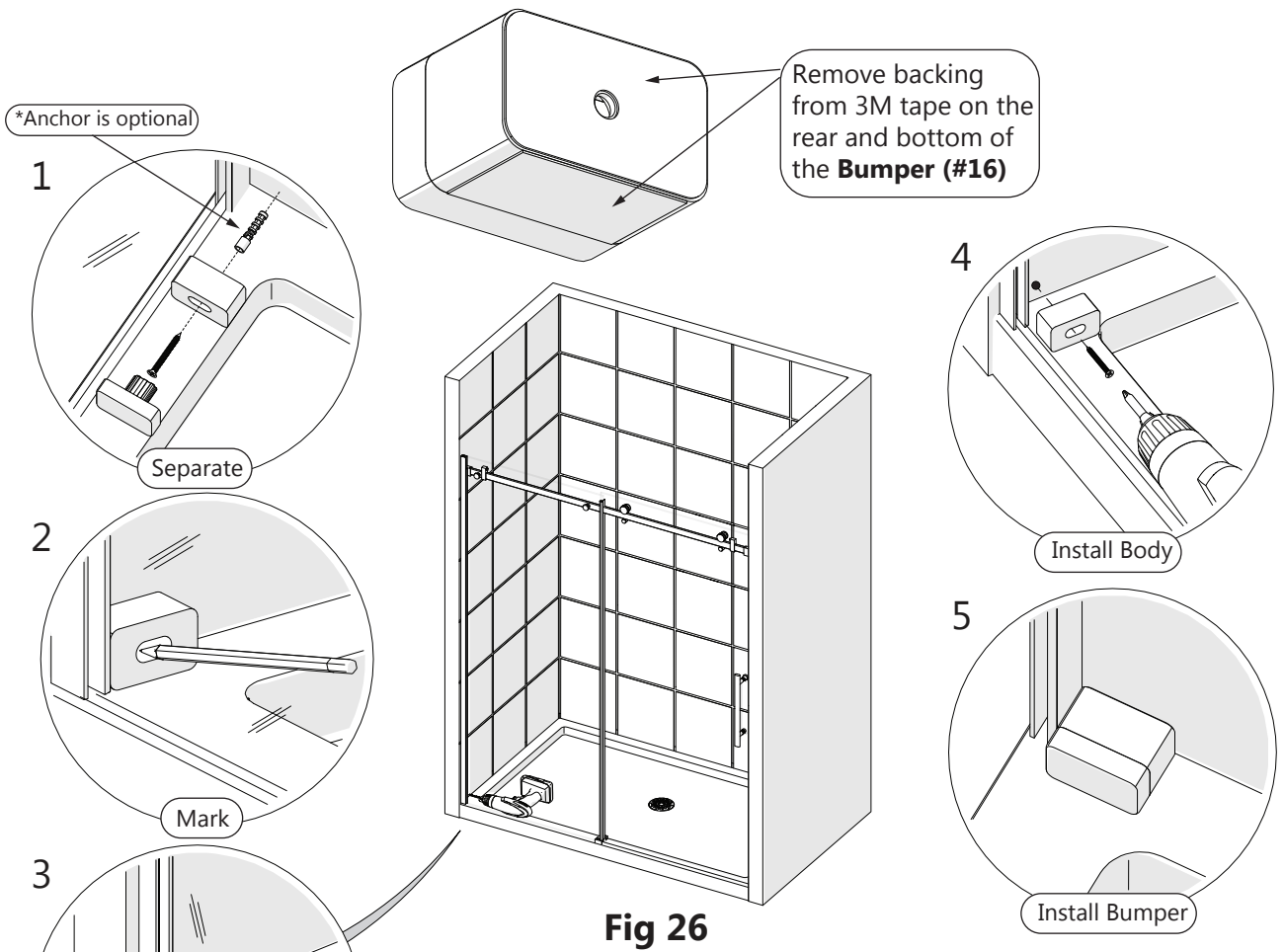
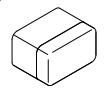



Fig 26

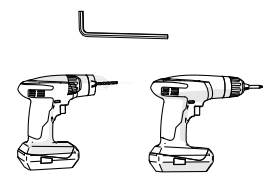
NOTE

If a stud is present behind the wall:
 Drill a **Ø3/16" (4mm)** hole up to the stud. Pilot the stud with a **Ø1/8" (3mm) bit**. Secure with the provided screw.
*If no stud is present in the wall:
 Drill a **Ø5/16" (7mm)** hole, use a **Wall Anchor (#17)** and the provided screw.

Parts Needed

- 16  x1
- 17* Optional  x8

Tools Needed



27

Securing the Stoppers



Cover the shower/tub drain with tape prior to removing the set screws to prevent loss.

NOTE

Position the Panel-side stopper so the door glass makes contact with the stopper and the **Bumper (#16)** at the same time. **Fig 27**

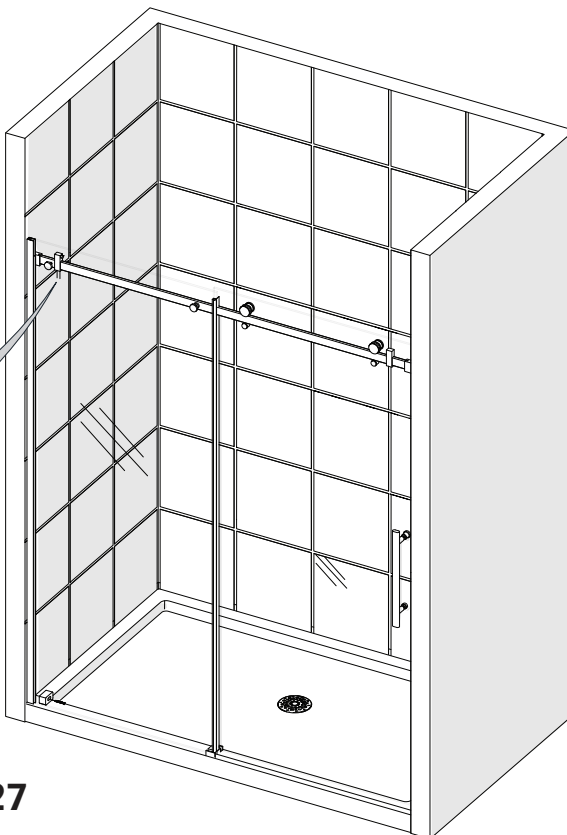
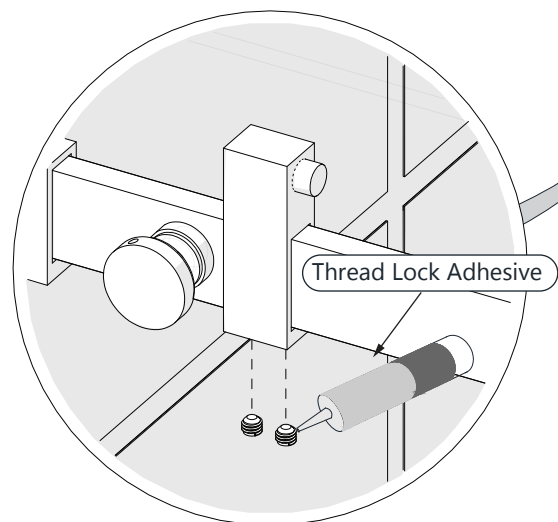


Fig 27

NOTE

Remove the set screws from the **Stoppers (#05)** and apply **Thread Lock Adhesive (#20)** to the threads. Reinsert the set screws into the **Stoppers (#05)**. Correctly position the **Stoppers** and screw them tightly to the **Guide Rail (#04)** with the supplied Allen wrench. **Fig 27**



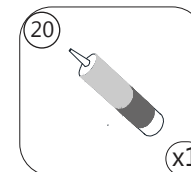
Stopper Locations as measured from the wall to the center of the stopper:

- Panel side: **5" (+/- 1/16")** where the door makes contact with the bottom bumper
- Door side: **3-1/2" (+/-)** (depends on opening conditions)



The **Stoppers (#05)** must be positioned correctly to prevent the handle from contacting the **Stationary Glass (#02)** and to stop the **Door Glass (#03)** in a position that allows the bumper strip to create a seal with the wall, but does not allow the door glass to bang into the wall during normal operation. **Fig 26**

Parts Needed



Tools Needed



Applying Silicone

NOTE

Clean all surfaces, then apply a good quality, mildew-resistant silicone where the stationary glass meets the walls and the threshold. **Fig 28**

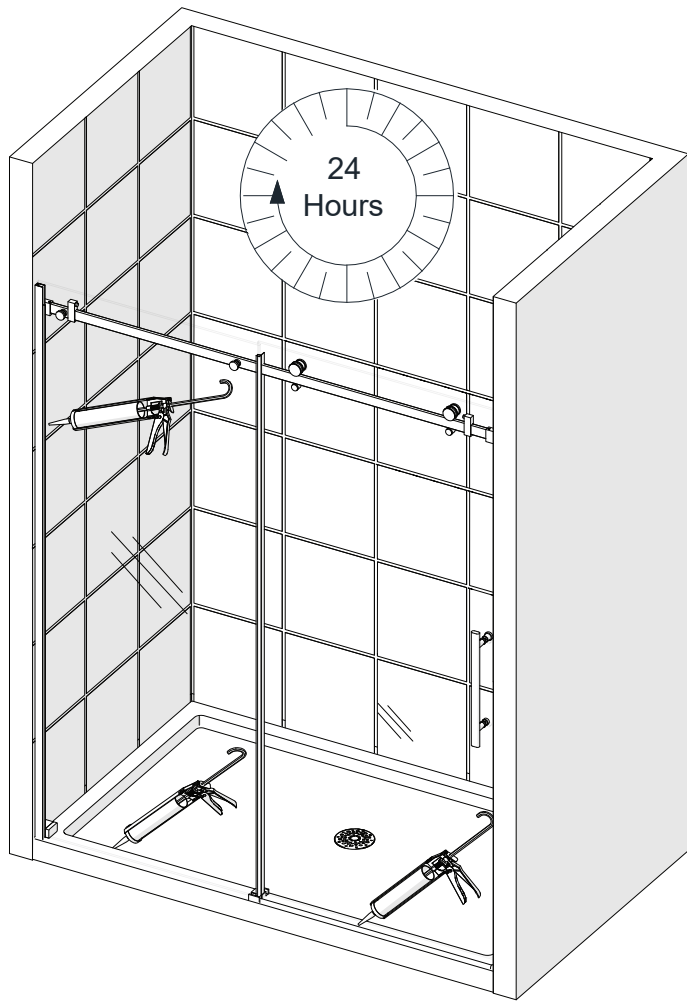
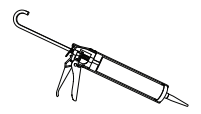


Fig 28

NOTE

Allow 24 hours for the silicone to fully cure before using the shower.

Tools Needed



Product Maintenance

BASES and BACKWALLS: To ensure long-lasting life for your acrylic back walls: wipe them off after each use with a soft cloth. To clean the acrylic back walls use non-abrasive sprays or cream based cleaners. Avoid the use of aerosol spray cleaners. Never use abrasive cleansers, metal brushes or scrapers that could permanently scratch or dull the surface.

GLASS: To ensure long lasting life for your glass shower products: wipe them off after each use with a soft cloth. Rinse and wipe off the glass using either a soft cloth or a squeegee to prevent soap buildup and water spots (Hard water can etch the surface of the glass over time if left to dry). To prevent scratching the surface: never use abrasive cleaners or cleaning products that contain scouring agents. Never use bristle brushes or abrasive sponges that may scratch the surface of the glass.

HARDWARE: To ensure a long lasting finish: wipe off all metal parts after each use with a soft cloth. Do not use abrasive cleaners or cleaning products containing ammonia, bleach or acid. If accidentally used, rinse the surface as soon as possible to prevent damage to the finish (peeling or corrosion). After cleaning the polished finishes, rinse thoroughly and wipe dry with a soft clean-cloth. Clean stainless steel surfaces at least once a week. When applying stainless steel cleaner or polish to stainless steel hardware, work with the grain, not across the grain. Never use an abrasive sponge or cloth, steel wool or wired brush as these may permanently scratch the surfaces.



To maximize the life of your door, it is important to regularly inspect the glass and other hardware for misalignment, proper attachment, and/or damage. Contact the manufacturer with any questions.

Maintenance checklist

- Guide rail** is level and tight
- Guide rail brackets** are tight to the walls
 - o All set screws tight
- Inline Panel glass** is secure
- Panel glass brackets** are tight
- Guide block** is positioned square to the threshold and the Panel Glass.
- Proper clearance beneath the door glass - from the threshold and within the guide block
- Door Glass** adjusted so that the **Bulb vinyl seal** makes even contact with the wall
- Wheel assemblies** tight
 - o Wheel **roller bolts** tight
- Stoppers** tight and positioned correctly
 - o **Panel-side stopper** tight and secured to the guide rail
 - o Adequate **Handle clearance** when the door is fully open
 - o **Stoppers are** positioned correctly (See measurements on **page 34**)
- SafeStop bumper** is secured to the wall
- Roller guards** are positioned 1/16" beneath the guide rail
- Remove vinyl seals to **inspect the edges of the door glass** for concealed damage
 - o **Damaged glass must be replaced!**
- Replace damaged or missing vinyl seals

Troubleshooting

Problem/Symptom	Suggested Solution
Missing Parts	<ul style="list-style-type: none"> •Check all shipping/package material for missing parts/components. •If not found, contact the manufacturer to order factory part replacement.
<p>Top Guide Rail (#04) was cut too short or was cut from wrong end during installation.</p>	<ul style="list-style-type: none"> •The Top Guide Rail (#04) is pre-cut for the model size, and will be shorter than the model width to allow for the Guide Rail Brackets (#06a and 6b). •If the Top Guide Rail (#04) is cut too short or cut from the wrong end, contact the manufacturer to order factory part replacement.
Water Leakage	<ul style="list-style-type: none"> •Confirm the Dam Strip (#11), Bumper Vinyl (#14) and the Vertical Vinyl Strips (#13) are installed correctly. [see Page 31] •Confirm that the entire unit has been properly sealed with silicone caulk; allow at least 24 hours to allow the silicone to cure and set before using the shower unit. •Direct the shower head/water flow away from the area.
The door rolls open or closed	<ul style="list-style-type: none"> •Check the Top Guide Rail (#04) for level. Adjust the Guide Rail Brackets (#06a/6b) if necessary. [see Step 16] •Adjust the Roller Wheel Assemblies (#08) on the door, if needed, to allow the door to seal evenly against the wall.
The door does not track smoothly	<ul style="list-style-type: none"> •Confirm the Guide Block (#12) is square to the Stationary Glass (#02) and threshold. [see Step 10 on page 17] •Confirm the Door Glass (#03) is not making contact with the bottom of the Guide Block (#12). •If the Door Glass (#03) needs to be raised, adjust the Rollers (#04) to raise it. [see Step 25 on page 32] •Be sure that there is nothing on the Top Guide Rail (#04) that could block the Roller Wheels (#08) •Check the Roller Guards (#09) are 1/16" beneath the Top Guide Rail (#04) and are not making any contact with the Top Guide Rail. [see Page 29]
Door travels too far in either direction	<ul style="list-style-type: none"> •Confirm both Door Stoppers (#05) are correctly installed and secured with the Threadlock Adhesive (#20) •The Door Stoppers (#05) should stop the door glass, not the wall. [see Page 34]
Mishandled glass	<ul style="list-style-type: none"> •Always take precautions when handling tempered glass. •A glass suction cup and an assistant are helpful when carrying large, heavy lites of glass. •Never allow tempered glass (especially the edges) to come in contact with any hard surface, which can cause chipping, splintering or complete glass failure. •Any damaged glass should be immediately replaced. •Do not use a shower with damaged glass. •Leave plastic corner protectors on the glass until ready to install. •Always protect the glass once removed from the box by padding the top and bottom of the glass with cardboard, styrofoam or other soft material until ready to install.



Prior to contacting the manufacturer, please have the following information readily available:

- Purchase Order Information
 - Name, PO Number, Dealer/Vendor Name, etc.
- SKU/Model Number (see Cover Page)
- Factory Part Information (see Pages 38 and 39)

Factory Parts Information 58" x 71" Shower Door

BARN DOOR STYLE DOOR 58" x 71"		FACTORY PARTS INFORMATION	
ITEM#	FACTORY PART NUMBER	ITEM DESCRIPTION	QTY
1	0712 X 229	UChannel	1
2	10420059	Stationary Glass	1
3	10420058	Door Glass	1
4	0712 X 224	Guide Rail	1
5	0702 X 109	Stopper	2
6a/6b	0702 X 111	Guide Rail Bracket and Wall Block	2
7	0702 X 112	Glass Bracket	2
8	0732 X 023	Roller	2
9	0702 X 188	Roller Guard	2
10	0755 X 068	Dam Strip Cap	1
11	041000 X 1-0770S	Dam Strip	1
12	0702 X 335	Guide Block	1
13	063004080-1697	Vertical Vinyl	2
14	063007080-1793	Bumper Vinyl	1
15	0722 X 004	Handle	1
16	0702 X 153	Bumper	1
17	7552148	Wall Anchor	7
18	091107	ST 4.0 x 40mm Phillips pan head screw	4
19	0980-21	4mm Allen Wrench	1
20	160012	Threadlock Adhesive	1
22	063001106 3 -1793	Grey Pinch Vinyl	1
22	063001106 5 -1793	Brown Pinch Vinyl	1

BOLD digit indicates finish color:

1 or 8 = Polished SS

4 or 5 or 7 = Brushed SS

6 = Oil Rubbed Bronze

9 = Matte Black

Contact the manufacturer for Part replacement, installation assistance or additional information.

Factory Parts Information 60" x 72" Shower Door

BARN DOOR STYLE DOOR 60" x 72"		FACTORY PARTS INFORMATION	
ITEM #	FACTORY PART NUMBER	ITEM DESCRIPTION	QTY
1	0712 X 229	UChannel	1
2	010420062	Stationary Glass	1
3	010420063	Door Glass	1
4	0712 X 224	Guide Rail	1
5	0702 X 109	Stopper	2
6a/6b	0702 X 111	Guide Rail Bracket and Wall Block	2
7	0702 X 112	Glass Bracket	2
8	0732 X 023	Roller	2
9	0702 X 188	Roller Guard	2
10	0755 X 068	Dam Strip Cap	1
11	041000 X 1-0770S	Dam Strip	1
12	0702 X 335	Guide Block	1
13	063004080-1697	Vertical Vinyl	2
14	063007080-1793	Bumper Vinyl	1
15	0722 X 004	Handle	1
16	0702 X 153	Bumper	1
17	7552148	Wall Anchor	7
18	091107	ST 4.0 x 40mm Phillips pan head screw	4
19	0980-21	4mm Allen Wrench	1
20	160012	Threadlock Adhesive	1
22	063001106 5 -1793	Brown Pinch Vinyl	1
22	063001106 3 -1793	Grey Pinch Vinyl	1

BOLD digit indicates finish color:

- 1 or 8 = Polished SS
- 4 or 5 or 7 = Brushed SS
- 6 = Oil Rubbed Bronze
- 9 = Matte Black

Contact the manufacturer for Part replacement, installation assistance or additional information.

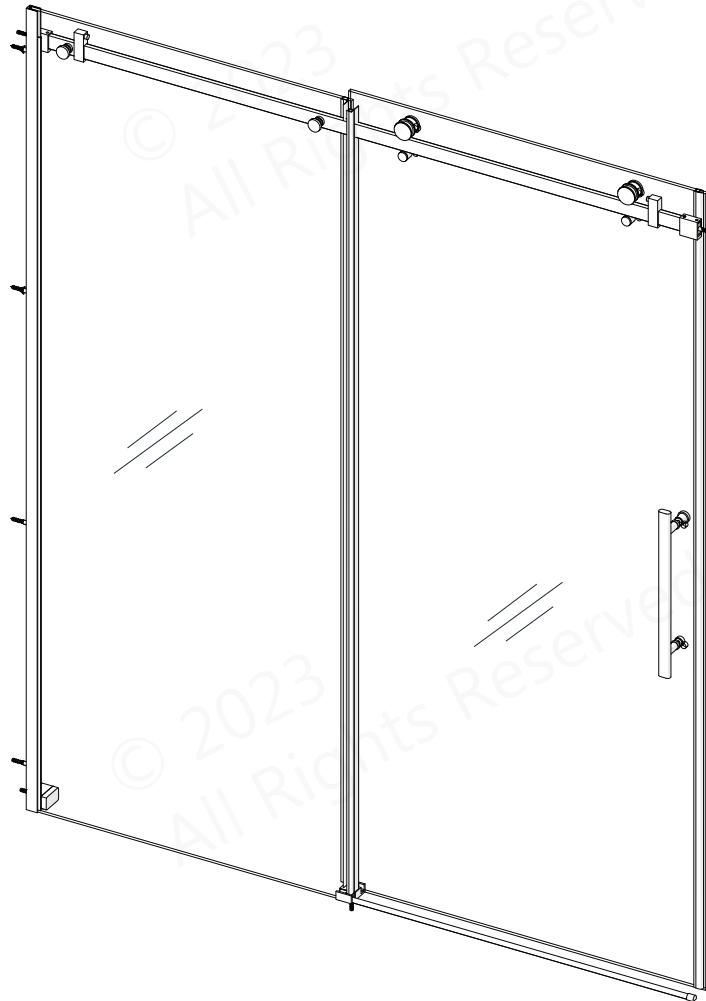
NOTES

NOTES

BARN-DOOR STYLE SLIDER

SHOWER DOOR INSTALLATION INSTRUCTIONS

PLEASE REVIEW THIS ENTIRE MANUAL PRIOR TO INSTALLATION



IMPORTANT!

The manufacturer reserves the right to alter, modify or redesign products at any time without prior notice for the purpose of product improvement and customer experience. Please refer to the manufacturer's web page for the latest technical drawings, installation manuals, warranty information or additional product details.